

2024  
(Summer)

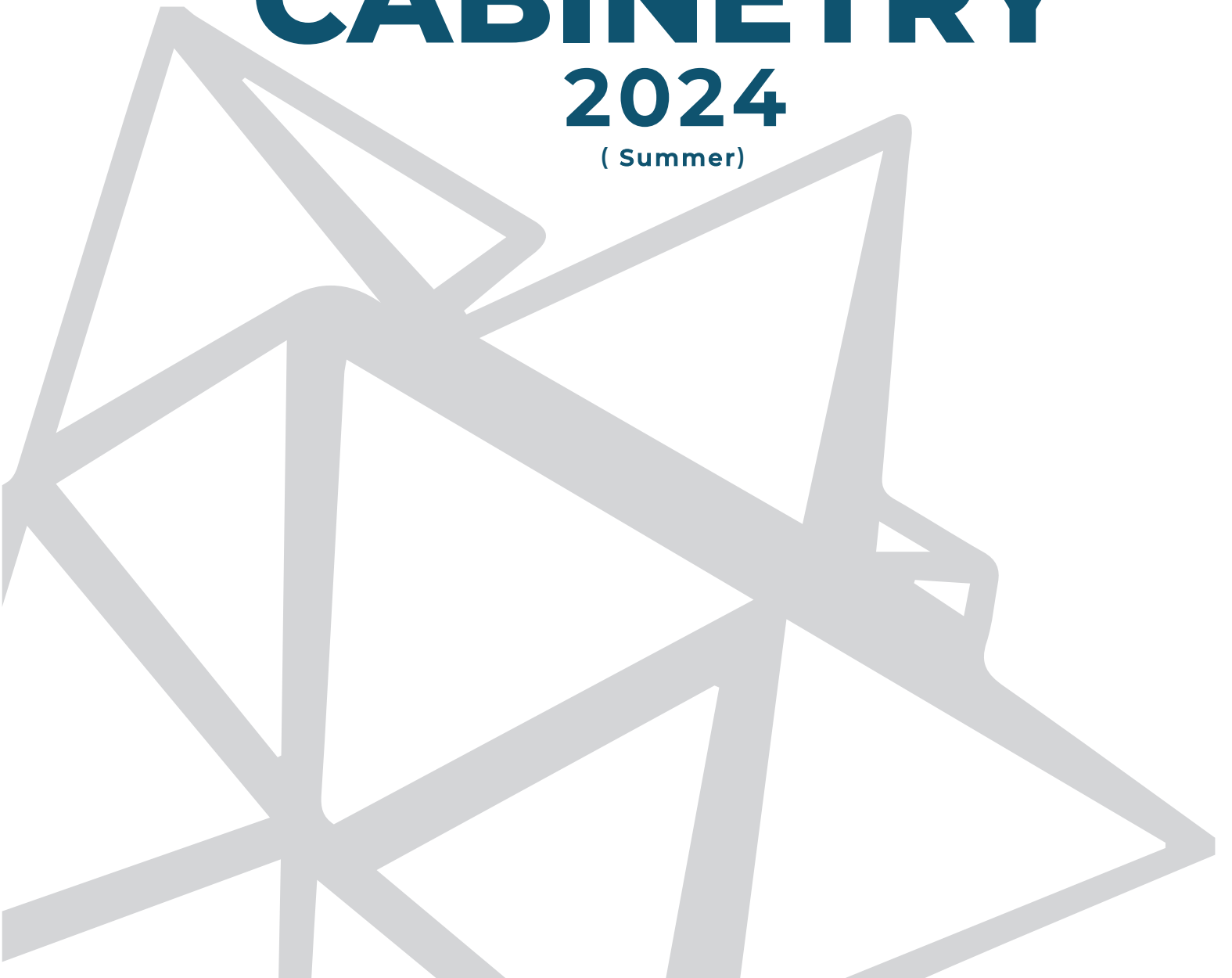


# LUBAN CABINETRY



Cover Image Shown: Bright White Shaker

LUBAN  
**CABINETRY**  
**2024**  
( Summer)



## ABOUT US

Luban is a cabinetry wholesaler, our cabinets and vanities are constructed with 100% wood doors and frames, mortise-tenon and/or dowel corner joints for extra rigidity, full overlay doors and drawers, standard 1/2"-5/8" thick furniture grade plywood boxes, full extension soft close metal under-mount glides, soft close hidden door hinges, standard sink tilt-out tray, standard wood susans for corner cabinets and much more.

Our cabinets are easy, ready-to-assemble and semi-customizable for unique designs. Adding our all wood panels, moldings, trims and decors will take your designs up a notch.

Don't forget these cabinets can also be installed in your living room, laundry room, garage and other rooms.

Our cabinets are in-stock off the shelf, so you can get your cabinets within days. We ship our products flatpack in the USA and Canada.

We also offer extensive cabinet storage and accessories to make your kitchen efficient, smart and fun.

Quality, value and services without a higher price tag. And we offer extensive discounts for larger volumes.





(S8)  
Bright White Shaker



(S5)  
Lava Grey Shaker



(S1)  
Americano Shaker



(K3)  
Smoke Grey

**Note:** Style and product availability may vary slightly from those shown in this catalog due to material availability and/or improvements to our designs. Specifications are subject to change without notice. Finger joint technique is used in some of our molding and decorative items, which is acceptable in industry standard. Natural variations of wood make the possibility of the finger joints visible. There is ¼" to ½" deviation on all vanity cabinets. Check with your sales representative for product specification before planning your projects.





(E2)  
Shadow Grey



(E1)  
Vivid White

**Note:** Plywood center panel for E1 & E2



(H3)  
Ebony Highlight



(H8)  
Tobacco Highlight



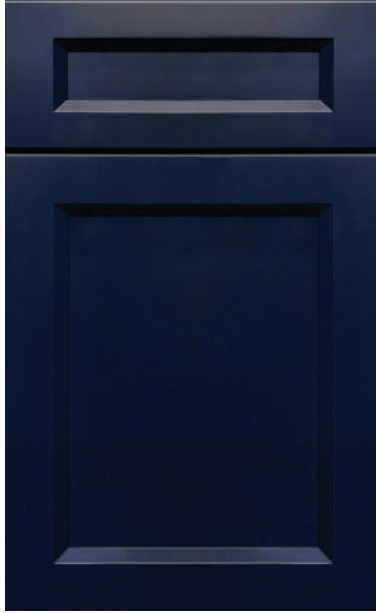
(H9)  
Chiffon Highlight

**Note:** Style and product availability may vary slightly from those shown in this catalog due to material availability and/or improvements to our designs. Specifications are subject to change without notice. Finger joint technique is used in some of our molding and decorative items, which is acceptable in industry standard. Natural variations of wood make the possibility of the finger joints visible. There is 1/4" to 1/2" deviation on all vanity cabinets. Check with your sales representative for product specification before planning your projects.



## NEW STYLES

\* Special Order



(B7)  
Valhalla Blue



(B8)  
Natural Timber

**Note:** Style and product availability may vary slightly from those shown in this catalog due to material availability and/or improvements to our designs. Specifications are subject to change without notice. Finger joint technique is used in some of our molding and decorative items, which is acceptable in industry standard. Natural variations of wood make the possibility of the finger joints visible. There is ¼" to ½" deviation on all vanity cabinets. Check with your sales representative for product specification before planning your projects.



All Luban's cabinets and vanities are superiorly constructed with 100% solid wood and proudly come with the following **STANDARD** features:

- 1** Door & Drawer: All-wood, 3/4" thick, full overlay, mortise-tenon and/or dowel joints. (\*Plywood center panel for E1 & E2)
- 2** Frame: All-wood, 3/4" thick, dowel joint, dadoed
- 3** Glide: Full extension, soft-close, under-mounted (\*3/4 extension on E1 & E2 styles)
- 4** Shelf: Plywood, 3/4" thick, adjustable, clear coat, 3/4 depth
- 5** Hinge: 6 way adjustable, soft-close, hidden
- 6** Cabinet Box: Plywood, 5/8" thick, clear coat interior
- 7** Drawer Box: All-wood, 5/8" thick on 4 sides, dovetail, clear coat
- 8** Bracket: L-shaped metal bracket reinforcement for base cabinets
- 9** Door bumper: Rubber, quiet-closing

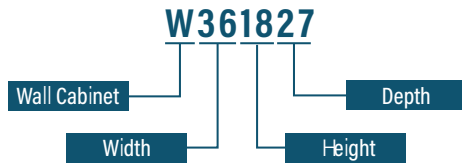


Tilt-out trays have been another upgrade and **STANDARD** feature in all of Luban's Cabinetry sink base and vanity sink cabinets.

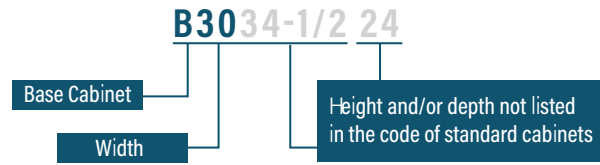
**Note:**

As we continue to improve our product qualities and designs, the actual functionality of Door Hinges and Drawer Glides may vary slightly between existing and newest product styles and finishes. Please check with your local Luban Cabinetry showroom or dealer for the most current updates.

## HOW TO UNDERSTAND CABINET ITEM CODES



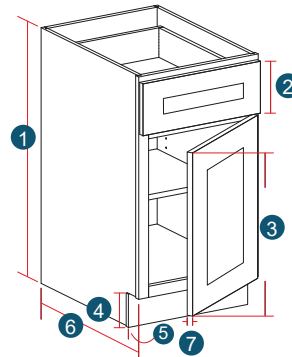
EXAMPLE:



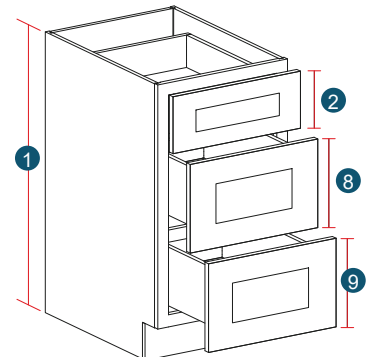
**Note:** Some item names ending with -G are the same as the ones without.

### KITCHEN CABINET DIMENSION

- 1 Standard 34-1/2"
- 2 6" on K10, M01, A7, K8, K3  
7" on J5, CO66, S1, S5, S8, H3, H8, H9, E1, E2
- 3 23" on K10, M01, A7, K8, K3  
22" on J5, CO66, S1, S5, S8, H3, H8, H9, E1, E2
- 4 Standard 4-1/2"
- 5 Standard 2-1/2"
- 6 Standard 24" ( To the face frame)
- 7 Standard 3/4"
- 8 11-3/8" on K10, M01, A7, K8, K3  
10-7/8" on J5, CO66, S1, S5, S8, H3, H8, H9, E1, E2
- 9 11-3/8" on K10, M01, A7, K8, K3  
10-7/8" on J5, CO66, S1, S5, S8, H3, H8, H9, E1, E2



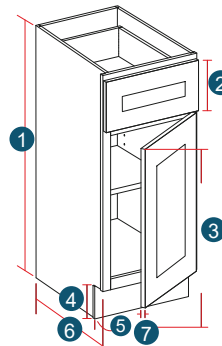
**B18**



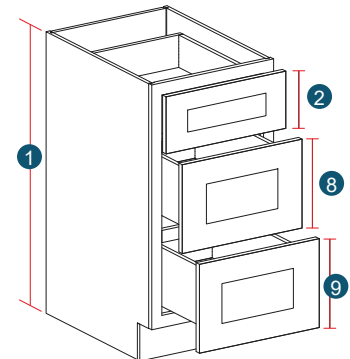
**DB21-3**

### VANITY CABINET DIMENSION

- 1 Standard 33"
- 2 6" on K10, M01, A7, K8, K3  
7" on J5, CO66, S1, S5, S8, H3, H8, H9, E1, E2
- 3 21-3/8" on K10, M01, A7, K8, K3  
20" on J5, CO66, S1, S5, S8, H3, H8, H9, E1, E2
- 4 Standard 4-1/2"
- 5 Standard 2-1/2"
- 6 Standard 21" ( to the face frame)
- 7 Standard 3/4"
- 8 10-3/8" on K10, M01, A7, K8, K3  
10-3/16" on J5, CO66, S1, S5, S8, H3, H8, H9, E1, E2
- 9 10-3/8" on K10, M01, A7, K8, K3  
10-3/16" on J5, CO66, S1, S5, S8, H3, H8, H9, E1, E2



**SVA09B**

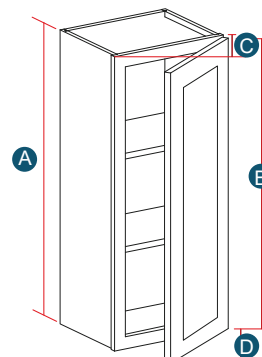


**SVA21D**

### WALL CABINET DIMENSION

- A 36"
- B 35-1/2" (Door dim.)
- C 18"
- D 17-3/4" (Door dim.)

**W1836**



**Note:**

Vanity FA#### Cabinets, 1/8" – 1/2" deviation expected.

Door opening direction: Flip the Wall Cabinet to change the hinge side.

Unscrew the Base Cabinet door to switch hinge side.





# BASE CABINETS

Image Shown: SHADOW GREY





**BASE CABINET**

- 1 Drawer
- 1 Door
- 1 Adjustable Shelf
- 3/4 Depth

Item Code	Dimensions	Weight
B09	9W X 34-1/2H X 24D	42 LB
B12	12W X 34-1/2H X 24D	45 LB
B15	15W X 34-1/2H X 24D	50 LB
B18	18W X 34-1/2H X 24D	53 LB
B21	21W X 34-1/2H X 24D	57 LB

*Note: May be packaged in more than one carton*

BASE CABINETS



**BASE CABINET**

- 1 Drawer
- 2 Doors
- 1 Adjustable Shelf
- 3/4 Depth

Item Code	Dimensions	Weight
B24	24W X 34-1/2H X 24D	63 LB
B27	27W X 34-1/2H X 24D	68 LB

*Note: May be packaged in more than one carton*



**BASE CABINET**

- 2 Drawers
- 2 Doors
- 1 Adjustable Shelf
- 3/4 Depth

Item Code	Dimensions	Weight
B30	30W X 34-1/2H X 24D	81 LB
B33	33W X 34-1/2H X 24D	85 LB
B36	36W X 34-1/2H X 24D	89 LB
B42	42W X 34-1/2H X 24D	94 LB

*Note: May be packaged in more than one carton*

**Note:** Style and product availability may vary slightly from those shown in this catalog due to material availability and/or improvements to our designs. Specifications are subject to change without notice. Finger joint technique is used in some of our molding and decorative items, which is acceptable in industry standard. Natural variations of wood make the possibility of the finger joints visible. There is 1/4" to 1/2" deviation on all vanity cabinets. Check with your sales representative for product specification before planning your projects.

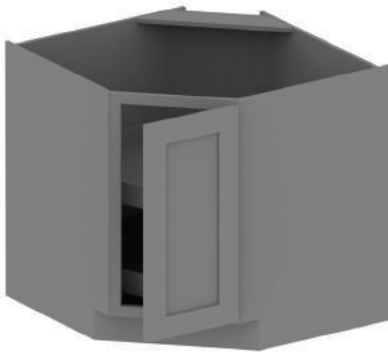


### DRAWER BASE

- 1 Small Drawer
- 2 Large Drawers

Item Code	Dimensions	Weight
DB12-3	12W x 34-1/2H x 24D	68 LB
DB15-3	15W x 34-1/2H x 24D	76 LB
DB18-3	18W x 34-1/2H x 24D	81 LB
DB21-3	21W x 34-1/2H x 24D	86 LB
DB24-3	24W x 34-1/2H x 24D	93 LB
DB30-3	30W x 34-1/2H x 24D	103 LB
DB36-3	36W x 34-1/2H x 24D	111 LB

*Note: May be packaged in more than one carton*



### BASE DIAGONAL

- 1 Full Door: 14-3/4"W x 29-1/4"H
- 2 Wooden Round Susans

Item Code	Dimensions	Weight
CBD36	36W x 34-1/2H x 24D	81 LB

*Note: May be packaged in more than one carton*

BASE CABINETS



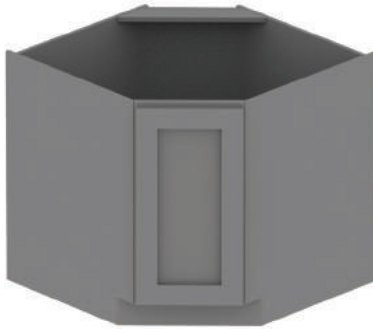
### LAZY SU SAN

- Bi-folding Door: 10-1/2"W x 10-1/2"W x 29-1/4"H
- 2 Wooden Kidney-Shaped Susans

Item Code	Dimensions	Weight
LS3612	36W X 34-1/2H X 24D	81 LB

*Note: May be packaged in more than one carton*

**Note:** Style and product availability may vary slightly from those shown in this catalog due to material availability and/or improvements to our designs. Specifications are subject to change without notice. Finger joint technique is used in some of our molding and decorative items, which is acceptable in industry standard. Natural variations of wood make the possibility of the finger joints visible. There is 1/4" to 1/2" deviation on all vanity cabinets. Check with your sales representative for product specification before planning your projects.



### DIAGONAL SINK

- 1 Door: 14-3/4"W x 29-1/4"H
- No Shelf

*Note: Back Panel Not Opened*

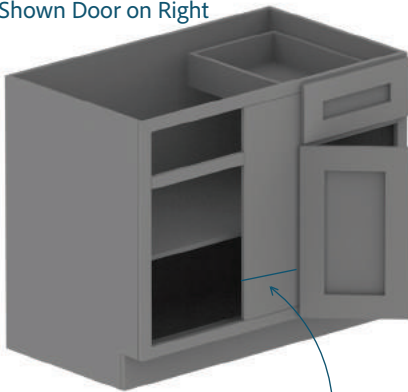
Item Code	Dimensions	Weight
CSB36	36W X 34-1/2H X 24D	62 LB

*Note: May be packaged in more than one carton*

*Note: Back Panel to Face Frame is 33"*

Door style	
Only Available	K3, K8, K10, CO66, J5, M01, A7, S1, S5, S8, H9, H8, H3

Shown Door on Right



*Note: Center Stile 9"W*

### BLIND CORNER

- 1 Drawer on **L**eft or **R**ight: 18"W
- 1 Door on **L**eft or **R**ight: 18"W
- 1 Adjustable Shelf, 3/4 Depth

*Note: Minimum 3" Pull From The Wall When Installing*

Item Code	Dimensions	Weight
BBC42L/R	42W x 34-1/2H x 24D	78 LB

*Note: May be packaged in more than one carton*



### SINK BASE

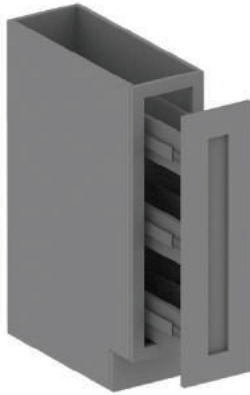
- 2 Tilt-Out Drawers With Trays
- 2 Doors
- No Shelf

*Note: Back Panel Opened*

Item Code	Dimensions	Weight
SB30	30W x 34-1/2H x 24D	49 LB
SB33	33W x 34-1/2H x 24D	50 LB
SB36	36W x 34-1/2H x 24D	54 LB
SB42	42W x 34-1/2H x 24D	59 LB

*Note: May be packaged in more than one carton*

**Note:** Style and product availability may vary slightly from those shown in this catalog due to material availability and/or improvements to our designs. Specifications are subject to change without notice. Finger joint technique is used in some of our molding and decorative items, which is acceptable in industry standard. Natural variations of wood make the possibility of the finger joints visible. There is 1/4" to 1/2" deviation on all vanity cabinets. Check with your sales representative for product specification before planning your projects.



Item Code	Dimensions	Weight
SP09	9W X 34-1/2H X 24D	42 LB

*Note: May be packaged in more than one carton*

### SPICE PULL-OUT

- 1 Door: 8-3/4"W x 29-1/4"H
- 3 Fixed Pull-Out Shelves

*Note: Standard Ball Bearing Side Glide*

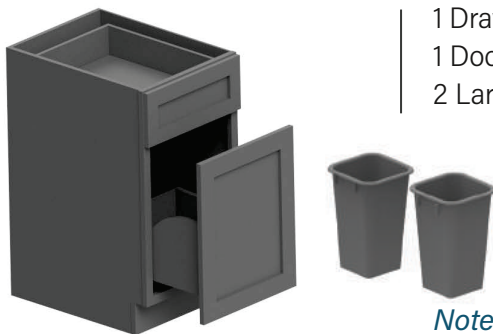


Item Code	Dimensions	Weight
BWRC6	6W X 34-1/2H X 24D	56 LB

### SPICE DRAWER

- 5 Squares Drawers: 5-3/4"W x 5-1/2"H ( Each)

*Note: No Glides*



Item Code	Dimensions	Weight
BWBK18-2	18W X 34-1/2H X 24D	61 LB

### WASTE BIN

- 1 Drawer
- 1 Door
- 2 Large Bin Cut-Outs

*Note: May be packaged in more than one carton*

*Note: Standard Ball Bearing Side Glides  
or Full Extension Soft-close, Under-mounted Glides  
Plastic Waste Bins (6910) Sold Separately*

**Note:** Style and product availability may vary slightly from those shown in this catalog due to material availability and/or improvements to our designs. Specifications are subject to change without notice. Finger joint technique is used in some of our molding and decorative items, which is acceptable in industry standard. Natural variations of wood make the possibility of the finger joints visible. There is 1/4" to 1/2" deviation on all vanity cabinets. Check with your sales representative for product specification before planning your projects.



Item Code	Dimensions	Weight
BEC24	24W X 34-1/2H X 24D	48 LB

### BASE END

- 2 Dummy Drawers: 18"W
- 2 Doors: 18"W
- 1 Adjustable Shelf

Shown Right



Item Code	Dimensions	Weight
BES09	9W X 34-1/2H X 24D	34 LB

### BASE END SHELF

- 3 Fixed Rounded Shelves (L/R)
- Matching Color Finish



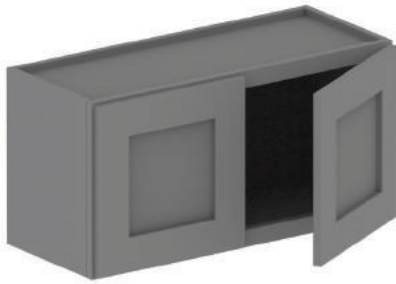
**Note:** Style and product availability may vary slightly from those shown in this catalog due to material availability and/or improvements to our designs. Specifications are subject to change without notice. Finger joint technique is used in some of our molding and decorative items, which is acceptable in industry standard. Natural variations of wood make the possibility of the finger joints visible. There is ¼" to ½" deviation on all vanity cabinets. Check with your sales representative for product specification before planning your projects.





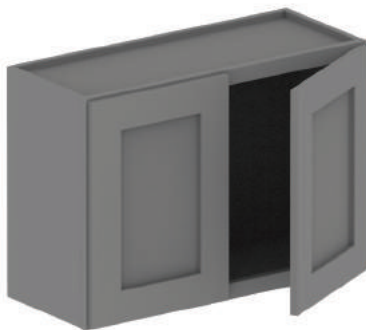
# WALL CABINETS

Image Shown: CHIFFON HIGHLIGHT


**WALL CABINET**

2 Doors  
No Shelf

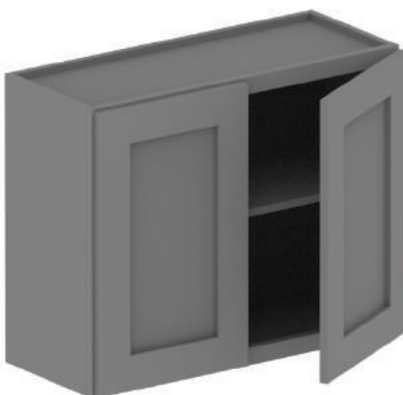
Item Code	Dimensions	Weight
W3012	30W x 12H x 12D	20 LB
W3612	36W x 12H x 12D	23 LB
W3015	30W x 15H x 12D	22 LB
W3615	36W x 15H x 12D	27 LB


**WALL CABINET**

2 Doors  
No Shelf

Item Code	Dimensions	Weight
W3018	30W x 18H x 12D	26 LB
W3618	36W x 18H x 12D	30 LB
W3021	30W x 21H x 12D	29 LB
W3621	36W x 21H x 12D	36 LB

*Note: May be packaged in more than one carton*


**WALL CABINET**

2 Doors  
1 Adjustable Shelf

Item Code	Dimensions	Weight
W3024	30W x 24H x 12D	36 LB
W3624	36W x 24H x 12D	41 LB

*Note: May be packaged in more than one carton*



**WALL CABINET**

- 1 Door
- 2 Adjustable Shelves

Item Code	Dimensions	Weight
W0930	9W x 30H x 12D	20 LB
W1230	12W x 30H x 12D	23 LB
W1530	15W x 30H x 12D	27 LB
W1830	18W x 30H x 12D	30 LB
W2130	21W x 30H x 12D	32 LB
W0936	9W x 36H x 12D	23 LB
W1236	12W x 36H x 12D	27 LB
W1536	15W x 36H x 12D	29 LB
W1836	18W x 36H x 12D	34 LB
W2136	21W x 36H x 12D	38 LB

*Note: May be packaged in more than one carton*



**WALL CABINET**

- 2 Doors
- 2 Adjustable shelves

Item Code	Dimensions	Weight
W2430	24W x 30H x 12D	38 LB
W2730	27W x 30H x 12D	42 LB
W3030	30W x 30H x 12D	46 LB
W3330	33W x 30H x 12D	50 LB
W3630	36W x 30H x 12D	52 LB
W4230	42W x 30H x 12D	59 LB
W2436	24W x 36H x 12D	43 LB
W2736	27W x 36H x 12D	45 LB
W3036	30W x 36H x 12D	51 LB
W3336	33W x 36H x 12D	55 LB
W3636	36W x 36H x 12D	59 LB
W4236	42W x 36H x 12D	66 LB

*Note: May be packaged in more than one carton*



**WALL CABINET**

- 1 Door
- 3 Adjustable Shelves

Item Code	Dimensions	Weight
W0942	9W x 42H x 12D	27 LB
W1242	12W x 42H x 12D	31 LB
W1542	15W x 42H x 12D	34 LB
W1842	18W x 42H x 12D	40 LB
W2142	21W x 42H x 12D	43 LB

*Note: May be packaged in more than one carton*

WALL CABINETS

**Note:** Style and product availability may vary slightly from those shown in this catalog due to material availability and/or improvements to our designs. Specifications are subject to change without notice. Finger joint technique is used in some of our molding and decorative items, which is acceptable in industry standard. Natural variations of wood make the possibility of the finger joints visible. There is ¼" to ½" deviation on all vanity cabinets. Check with your sales representative for product specification before planning your projects.



**WALL CABINET**

- 2 Doors
- 3 Adjustable Shelves

Item Code	Dimensions	Weight
W2442	24W x 42H x 12D	49 LB
W2742	27W x 42H x 12D	55 LB
W3042	30W x 42H x 12D	60 LB
W3342	33W x 42H x 12D	63 LB
W3642	36W x 42H x 12D	69 LB
W4242	42W x 42H x 12D	78 LB

*Note: May be packaged in more than one carton*

WALL CABINETS



**GLASS CABINET**

- 1 Door
- Space for 2 Adjustable Glass Shelves
- Matching Color Interior

Item Code	Dimensions	Weight
WM 1530H	15W x 30H x 12D	20 LB
WM 1830H	18W x 30H x 12D	22 LB
WM 1536H	15W x 36H x 12D	23 LB
WM 1836H	18W x 36H x 12D	25 LB

*Note: Glass Shelves And Glass Insert Not Included*



**GLASS CABINET**

- 2 Doors
- Space for 2 Adjustable Glass Shelves
- Matching Color Interior

Item Code	Dimensions	Weight
WM 2430H	24W x 30H x 12D	28 LB
WM 2730H	27W x 30H x 12D	29 LB
WM 3030H	30W x 30H x 12D	30 LB
WM 2436H	24W x 36H x 12D	33 LB
WM 2736H	27W x 36H x 12D	34 LB
WM 3036H	30W x 36H x 12D	36 LB

*Note: Glass Shelves And Glass Inserts Not Included*

**Note:** Style and product availability may vary slightly from those shown in this catalog due to material availability and/or improvements to our designs. Specifications are subject to change without notice. Finger joint technique is used in some of our molding and decorative items, which is acceptable in industry standard. Natural variations of wood make the possibility of the finger joints visible. There is ¼" to ½" deviation on all vanity cabinets. Check with your sales representative for product specification before planning your projects.



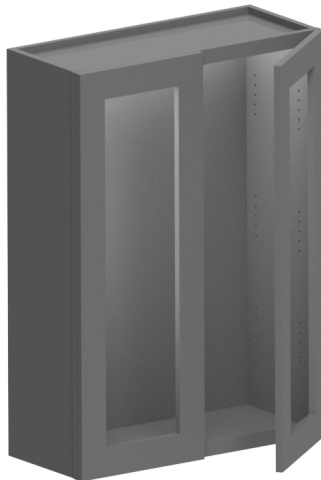


### GLASS CABINET

- 1 Door
- Space for 3 Adjustable Glass Shelves
- Matching Color Interior

*Note: Glass Shelves And Glass Insert Not Included*

Item Code	Dimensions	Weight
WM 1542H	15W x 42H x 12D	27 LB
WM 1842H	18W x 42H x 12D	28 LB



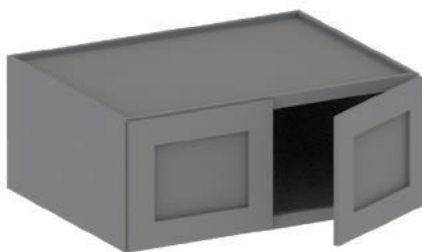
### GLASS CABINET

- 2 Doors
- Space for 3 Adjustable Glass Shelves
- Matching Color Interior

*Note: Glass Shelves And Glass Inserts Not Included*

Item Code	Dimensions	Weight
WM 2442H	24W x 42H x 12D	38 LB
WM 2742H	27W x 42H x 12D	40 LB
WM 3042H	30W x 42H x 12D	42 LB

WALL CABINETS



### REFRIGERATOR CABINET

- 2 Doors
- No Shelf

Item Code	Dimensions	Weight
W331227	33W x 12H x 27D	38 LB
W361227	36W x 12H x 27D	40 LB
W331527	33W x 15H x 27D	40 LB
W361527	36W x 15H x 27D	45 LB

*Note: May be packaged in more than one carton*





### REFRIGERATOR CABINET

2 Doors  
No Shelf

Item Code	Dimensions	Weight
W331827	33W x 18H x 27D	42 LB
W361827	36W x 18H x 27D	46 LB
W332127	33W x 21H x 27D	46 LB
W362127	36W x 21H x 27D	51 LB
W332427	33W x 24H x 27D	59 LB
W362427	36W x 24H x 27D	61 LB

*Note: May be packaged in more than one carton*

WALL CABINETS



### WALL DIAGONAL

1 Door  
2 Adjustable Shelves

Item Code	Dimensions	Weight
WDC2430	24W x 30H x 12D	55 LB
WDC2436	24W x 36H x 12D	61 LB
* WDC273615	27W x 36H x 15D	74 LB

*Note: May be packaged in more than one carton*

Door style	
* Only Available	K3, K8, K10, CO66, J5, M01, A7, S1, S5, S8, H9, H8, H3



### WALL DIAGONAL

1 Door  
3 Adjustable Shelves

Item Code	Dimensions	Weight
WDC2442	24W x 42H x 12D	72 LB
* WDC274215	27W x 42H x 15D	87 LB

*Note: May be packaged in more than one carton*

Door style	
* Only Available	K3, K8, K10, CO66, J5, M01, A7, S1, S5, S8, H9, H8, H3

**Note:** Style and product availability may vary slightly from those shown in this catalog due to material availability and/or improvements to our designs. Specifications are subject to change without notice. Finger joint technique is used in some of our molding and decorative items, which is acceptable in industry standard. Natural variations of wood make the possibility of the finger joints visible. There is ¼" to ½" deviation on all vanity cabinets. Check with your sales representative for product specification before planning your projects.


**GLASS WALL  
DIAGONAL**

1 Door  
Space for 2 Adjustable  
Glass Shelves  
Matching Color Interior

Item Code	Dimensions	Weight
WMDC2430H	24W x 30H x 12D	39 LB
WMDC2436H	24W x 36H x 12D	46 LB
* WMDC273615H	27W x 36H x 15D	54 LB

Door style	
* Only Available	K3, K8, K10, CO66, J5, M01, A7, S1, S5, S8, H9, H8, H3

*Note: Glass Shelves And Glass Insert Not Included*


**GLASS WALL  
DIAGONAL**

1 Door  
Space for 3 Adjustable  
Glass Shelves  
Matching Color Interior

Item Code	Dimensions	Weight
WMDC2442H	24W x 42H x 12D	50 LB
* WMDC274215H	27W x 42H x 15D	52 LB

Door style	
* Only Available	K3, K8, K10, CO66, J5, M01, A7, S1, S5, S8, H9, H8, H3

*Note: Glass Shelves And Glass Insert Not Included*

Shown Door on Right


**WALL BLIND**

1 Door on Left or Right  
2 Adjustable Shelves

Item Code	Dimensions	Weight
WCC3030	30W x 30H x 12D	41 LB
WCC3036	30W x 36H x 12D	47 LB

*Note: May be packaged in more than one carton*

Door style	
Only Available	K3, K8, K10, CO66, J5, M01, A7, S1, S5, S8, H9, H8, H3

*Note: Center Stile 6"W*

**Note:** Style and product availability may vary slightly from those shown in this catalog due to material availability and/or improvements to our designs. Specifications are subject to change without notice. Finger joint technique is used in some of our molding and decorative items, which is acceptable in industry standard. Natural variations of wood make the possibility of the finger joints visible. There is ¼" to ½" deviation on all vanity cabinets. Check with your sales representative for product specification before planning your projects.

Shown Door on Right



### WALL BLIND CORNER

1 Door on Left or Right  
3 Adjustable Shelves

Item Code	Dimensions	Weight
WCC3042	30W x 42H x 12D	54 LB

*Note: May be packaged in more than one carton*

Door style	
Only Available	K3, K8, K10, CO66, J5, M01, A7, S1, S5, S8, H9, H8, H3

*Note: Center Stile 6"W*

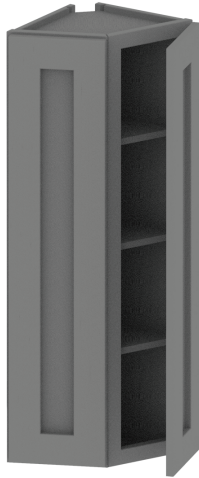


### WALL END

2 Doors: 9"W  
2 Adjustable Shelves

Item Code	Dimensions	Weight
WEC1230	12W x 30H x 12D	23 LB
WEC1236	12W x 36H x 12D	27 LB

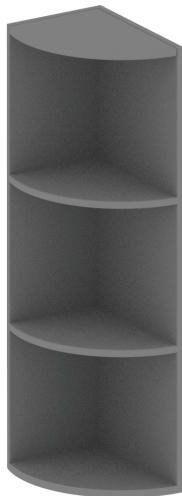
**Note:** Style and product availability may vary slightly from those shown in this catalog due to material availability and/or improvements to our designs. Specifications are subject to change without notice. Finger joint technique is used in some of our molding and decorative items, which is acceptable in industry standard. Natural variations of wood make the possibility of the finger joints visible. There is ¼" to ½" deviation on all vanity cabinets. Check with your sales representative for product specification before planning your projects.



**WALL END**

- 2 Doors: 9"W
- 3 Adjustable Shelves

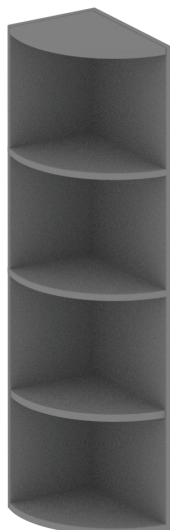
Item Code	Dimensions	Weight
WEC1242	12W x 42H x 12D	30LB



**WALL END SHELF**

- 3 Fixed Round Shelves
- Matching Color Finish

Item Code	Dimensions	Weight
WES0930	9W x 30H x 12D	16 LB
WES0936	9W x 36H x 12D	17 LB



**WALL END SHELF**

- 4 Fixed Round Shelves
- Matching Color Finish

Item Code	Dimensions	Weight
WES0942	9W x 42H x 12D	21LB

**Note:** Style and product availability may vary slightly from those shown in this catalog due to material availability and/or improvements to our designs. Specifications are subject to change without notice. Finger joint technique is used in some of our molding and decorative items, which is acceptable in industry standard. Natural variations of wood make the possibility of the finger joints visible. There is ¼" to ½" deviation on all vanity cabinets. Check with your sales representative for product specification before planning your projects.



### MICROWAVE CABINET

- 2 Doors
- 1 Open Rounded Shelf with 16"H (Shelf overhang 5-1/4")
- Matching Color Finish

Item Code	Dimensions	Weight
WBL2730	27W x 30H x 12D	36 LB
WBL2736	27W x 36H x 12D	42 LB
WBL2742	27W x 42H x 12D	47 LB

WALL CABINETS



**Note:** Style and product availability may vary slightly from those shown in this catalog due to material availability and/or improvements to our designs. Specifications are subject to change without notice. Finger joint technique is used in some of our molding and decorative items, which is acceptable in industry standard. Natural variations of wood make the possibility of the finger joints visible. There is 1/4" to 1/2" deviation on all vanity cabinets. Check with your sales representative for product specification before planning your projects.





### GLASS SHELF

Use On Glass Wall Cabinets  
(Item Code: WM###H)

*Note: Caution When Shipping*

Item Code	Weight
GSH-15 (WM1530/36/42H)	6 LB
GSH-18 (WM1830/36/42H)	8 LB
GSH-24 (WM2430/36/42H)	8.5 LB
GSH-27 (WM2730/36/42H)	9 LB
GSH-30 (WM3030/36/42H)	9.5 LB
GSH-WMDC24*12 (WM2430/36/42H)	10 LB
GSH-WMDC27*12 (WM243615/4215H)	12 LB



Item Code	Weight	Item Code	Weight
GI-12/24*30 (WM1230/2430-01)	5 LB	GI-18*30 (WM1830-01)	5 LB
GI-12/24*30-K (WM1230/2430-01)	5 LB	GI-18*30-K (WM1830-01)	5 LB
GI-12/24*30-E (WM1230/2430-01)	5 LB	GI-18*30-E (WM1830-01)	5 LB
GI-12/24*36 (WM1236/2436-01)	5 LB	GI-18*36 (WM1836-01)	5 LB
GI-12/24*36-K (WM1236/2436-01)	5 LB	GI-18*36-K (WM1836-01)	5 LB
GI-12/24*36-E (WM1236/2436-01)	5 LB	GI-18*36-E (WM1836-01)	5 LB
GI-12/24*42 (WM1242/2442-01)	5 LB	GI-18*42 (WM1842-01)	5 LB
GI-12/24*42-K (WM1242/2442-01)	5 LB	GI-18*42-K (WM1842-01)	5 LB
GI-12/24*42-E (WM1242/2442-01)	5 LB	GI-18*42-E (WM1842-01)	5 LB
GI-15/30*30 (WM1530/3030-01)	5 LB	GI-27*30 (WM2730-01)	5 LB
GI-15/30*30-K (WM1530/3030-01)	5 LB	GI-27*30-K (WM2730-01)	5 LB
GI-15/30*30-E (WM1530/3030-01)	5 LB	GI-27*30-E (WM2730-01)	5 LB
GI-15/30*36 (WM1536/3036-01)	5 LB	GI-27*36 (WM2736-01)	5 LB
GI-15/30*36-K (WM1536/3036-01)	5 LB	GI-27*36-K (WM2736-01)	5 LB
GI-15/30*36-E (WM1536/3036-01)	5 LB	GI-27*36-E (WM2736-01)	5 LB
GI-15/30*42 (WM1542/3042-01)	5 LB	GI-27*42 (WM2742-01)	5 LB
GI-15/30*42-K (WM1542/3042-01)	5 LB	GI-27*42-K (WM2742-01)	5 LB
GI-15/30*42-E (WM1542/3042-01)	5 LB	GI-27*42-E (WM2742-01)	5 LB

GLASS SHELF & INSERT

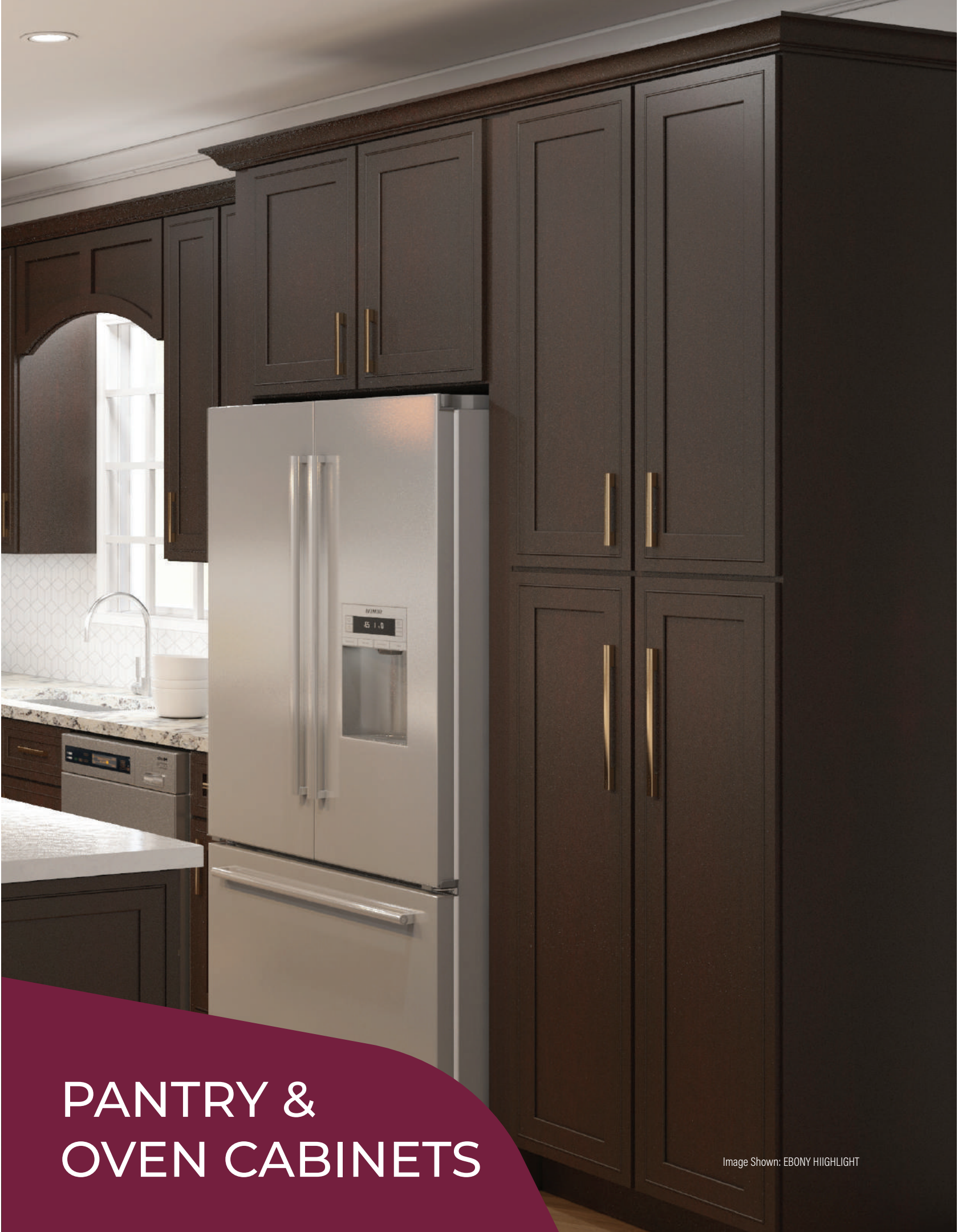
### GLASS INSERT

Use On Glass Wall Cab

- WM24, 27 & 30 Glass Wall Cabinets Require 2 Glass Inserts.

*Note: In RED (K) for K8, K3 & K10. In GREEN (E) for E1, E2 Glass Wall Cabinets  
Caution When Shipping*

**Note:** Style and product availability may vary slightly from those shown in this catalog due to material availability and/or improvements to our designs. Specifications are subject to change without notice. Finger joint technique is used in some of our molding and decorative items, which is acceptable in industry standard. Natural variations of wood make the possibility of the finger joints visible. There is ¼" to ½" deviation on all vanity cabinets. Check with your sales representative for product specification before planning your projects.



# PANTRY & OVEN CABINETS

Image Shown: EBONY HIGHLIGHT



### PANTRY CABINET

- 2 Doors
- 2 Adjustable Shelves In Top Section
- 1 Adjustable Shelf In Bottom Section
- 3 Bottom Roll-Out Trays

*Note: 3 Adjustable Shelves In Top Section In 96" H Cabinet*

*Lock Crossrail Design  
On Lower Doors Of E1, E2 Pantry Cabinet*

Item Code	Dimensions	Weight
WP188427	18W x 84H x 27D	154 LB
WP189027	18W x 90H x 27D	160 LB
WP189627	18W x 96H x 27D	165 LB

*Note: May be packaged in more than one carton*



### PANTRY CABINET

- 4 Doors
- 2 Adjustable Shelves In Top Section
- 1 Adjustable Shelf In Bottom Section
- 3 Bottom Roll-Out Trays

*Note: 3 Adjustable Shelves In Top Section In 96" H Cabinet*

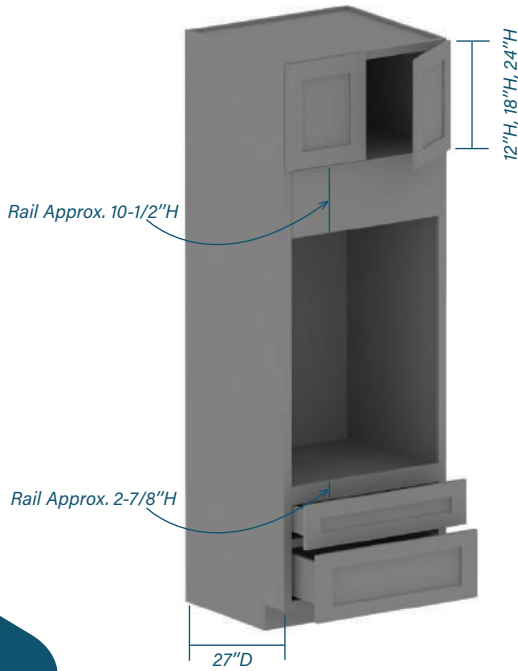
*Lock Crossrail Design  
On Lower Doors Of E1, E2 Pantry Cabinet*

Item Code	Dimensions	Weight
WP248427	24W x 84H x 27D	176 LB
WP308427	30W x 84H x 27D	196 LB
WP249027	24W x 90H x 27D	184 LB
WP309027	30W x 90H x 27D	211 LB
WP249627	24W x 96H x 27D	190 LB
WP309627	30W x 96H x 27D	220 LB

*Note: May be packaged in more than one carton*

**Note:** Style and product availability may vary slightly from those shown in this catalog due to material availability and/or improvements to our designs. Specifications are subject to change without notice. Finger joint technique is used in some of our molding and decorative items, which is acceptable in industry standard. Natural variations of wood make the possibility of the finger joints visible. There is ¼" to ½" deviation on all vanity cabinets. Check with your sales representative for product specification before planning your projects.





### OVEN CABINET

- 2 Doors
- No Shelf 38-7/16"H
- 1 Small Bottom Drawer
- 1 Large Bottom Drawer
- Stile:**
- 1-1/2"W on 30" Cab
- 2-1/8"W on 33" Cab

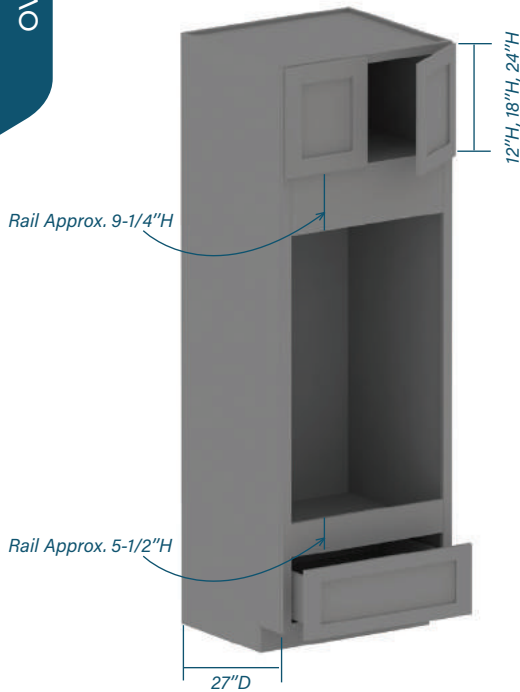
*Note: 1 Adjustable Top Shelf In 96"H Cabinet.  
Trim or add to fit oven.*

Item Code	Dimensions	Weight
OC308427	30W x 84H x 27D	160 LB
OC338427	33W x 84H x 27D	170 LB
OC309027	30W x 90H x 27D	170 LB
OC339027	33W x 90H x 27D	182 LB
OC309627	30W x 96H x 27D	182 LB
OC339627	33W x 96H x 27D	192 LB

*Note: May be packaged in more than one carton*

K10, M01, A7, K8, K3, J5, C066, H9, H8, H3, S1, S2, S5, S8	
30" Cab	27"W X 38-7/16"H
33" Cab	30"W X 38-7/16"H

Drawers	Upper	Lower
K10, K3, K8, A7, M01	6"H	11-3/8"H
CO66, J5, S8, S5, S1, H9, H8, H3, E1, E2	7"H	10-7/8"H



### OVEN CABINET

- 2 Doors
- No Shelf
- 1 Large Open Shelf 43-7/16"H
- 1 Large Bottom Drawer

*Note: 1 Adjustable Top Shelf In 96"H Cabinet.  
Trim or add to fit oven.*

Item Code	Dimensions	Weight
OC 308427WO	30W x 84H x 27D	132 LB
OC338427WO	33W x 84H x 27D	142 LB
OC309027WO	30W x 90H x 27D	145 LB
OC339027WO	33W x 90H x 27D	155 LB
OC309627WO	30W x 96H x 27D	158 LB
OC339627WO	33W x 96H x 27D	169 LB

*Note: May be packaged in more than one carton*

K10, M01, A7, K8, K3	
30" Cab	27"W X 43-7/16"H
33" Cab	28-3/4"W X 43-7/16"H

J5, C066, H9, H8, H3, S1, S5, S8, E1, E2	
30" Cab	27"W X 43-7/16"H
33" Cab	30"W X 43-7/16"H

Drawers	Upper	Lower
K10, K3, K8, A7, M01	6"H	11-3/8"H
CO66, J5, S8, S5, S1, H9, H8, H3, E1, E2	7"H	10-7/8"H

**Note:** Style and product availability may vary slightly from those shown in this catalog due to material availability and/or improvements to our designs. Specifications are subject to change without notice. Finger joint technique is used in some of our molding and decorative items, which is acceptable in industry standard. Natural variations of wood make the possibility of the finger joints visible. There is 1/4" to 1/2" deviation on all vanity cabinets. Check with your sales representative for product specification before planning your projects.



# STORAGE & ORGANIZATION

Image Shown: VIVID WHITE



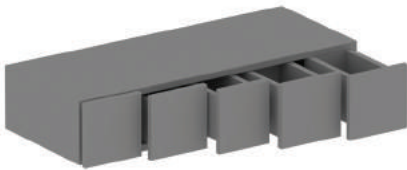


### APPLIANCE GARAGE

1 Roll-Up Door  
No Shelf

Item Code	Dimensions	Weight
AG2418	24W x 18H x 12D	28 LB
AG2718	27W x 18H x 15D	31 LB
Door style		
Only Available	K3, K8, K10, CO66, J5, M01, A7, S1, S5, S8, H9, H8, H3	

*Note: Use it With Wall Diagonal Cab.  
Install it After Countertop is Installed.*

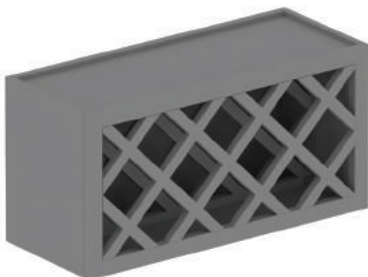


### WALL SPICE DRAWER

5 Squares Drawers: 5-3/4"W x 5-1/2"H (Each)

*Note: No Glides*

Item Code	Dimensions	Weight
WWRC6	30W x 6H x 12D	33 LB



### WINE RACK

10 Compartments in 30"W  
14 Compartments in 36"W  
Matching Color Finish

Item Code	Dimensions	Weight
30WR	30W x 15H x 12D	22 LB
36WR	36W x 15H x 12D	25 LB



### GLASS RACK

7 Rail Openings in 30"W  
9 Rail Openings in 36"W  
Matching Color Finish

Item Code	Dimensions	Weight
30GR	30W x 1-1/2H x 12D	18 LB
36GR	36W x 1-1/2H x 12D	22 LB

**Note:** Style and product availability may vary slightly from those shown in this catalog due to material availability and/or improvements to our designs. Specifications are subject to change without notice. Finger joint technique is used in some of our molding and decorative items, which is acceptable in industry standard. Natural variations of wood make the possibility of the finger joints visible. There is 1/4" to 1/2" deviation on all vanity cabinets. Check with your sales representative for product specification before planning your projects.



### PLATE RACK

10 Plate Slots in 30"W  
 12 Plate Slots in 36"W  
 12"H Opening in 15"H  
 15"H Opening in 18"H  
 Matching Color Finish

Item Code	Dimensions	Weight
WCD3018	30W x 18H x 12D	22 LB
WCD3618	36W x 18H x 12D	24 LB

Door style	
Only Available	K3, K8, K10, CO66, J5, M01, A7, S1, S5, S8, H9, H8, H3

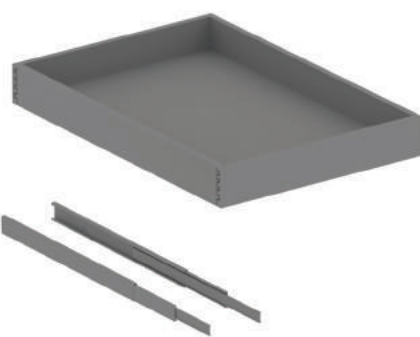


### KNEE DRAWER

1 Drawer

Item Code	Dimensions	Weight
FD24	24W x 21D	26 LB
FD30	30W x 21D	32 LB

Door Style	Drawer Height
K10, K8, K3, A7, M01	6"
CO66, J5, H9, H8, H3, S1, S5, S8, E1, E2	7"



### ROLL-OUT TRAY

Clear Coat Finish  
 1 Pair Of Ball Bearing Side Glides

Item Code	Dimensions	Weight
RD15	11W x 3-3/4H x 22D	11 LB
RD18	14W x 3-3/4H x 22D	12 LB
RD21	17W x 3-3/4H x 22D	13 LB
RD24	20W x 3-3/4H x 22D	14 LB
RD27	23W x 3-3/4H x 22D	15 LB
RD30	26W x 3-3/4H x 22D	16 LB
RD33	29W x 3-3/4H x 22D	17 LB
RD36	32W x 3-3/4H x 22D	18 LB

*Note: Glides are 22" Long, for Standard 24" Deep Base Cabinets.  
 For 27" Deep Tall Pantry or Oven Cabinets: 24" Long  
 Glides are Recommended and Sold Separately.*

**Note:** Style and product availability may vary slightly from those shown in this catalog due to material availability and/or improvements to our designs. Specifications are subject to change without notice. Finger joint technique is used in some of our molding and decorative items, which is acceptable in industry standard. Natural variations of wood make the possibility of the finger joints visible. There is 1/4" to 1/2" deviation on all vanity cabinets. Check with your sales representative for product specification before planning your projects.



Image Shown: SMOKE GREY

# HOODS & SPECIALTY CABINETS



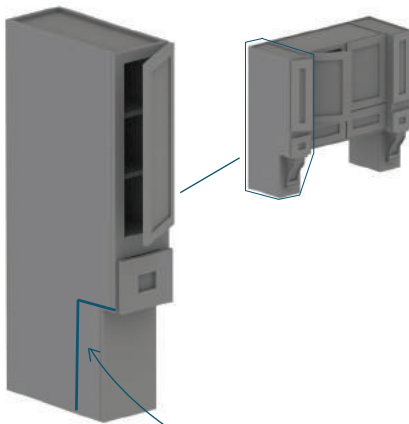
\* Pre-assembled

### WOOD HOOD

RHE3624 - Inside Dimensions: 32.5"W x 7.5"H x 7.5"D

RHE4224 - Inside Dimensions: 38.5"W x 7.5"H x 7.5"D

Item Code	Dimensions	Weight
RHE3624	36W x 24H x 8D	20 LB
RHE4224	42W x 24H x 8D	22 LB
Door style		
Only Available	K3, K8, K10, CO66, J5, M01, A7, S1, S5, S8, H9, H8, H3	



### HEARTH HOOD PIER WALL HUNG

1 Door

2 Adjustable Shelves

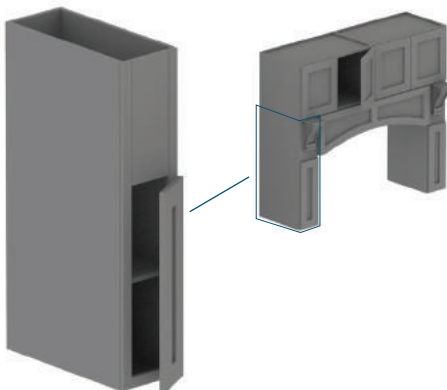
1 Small Drawer

Corbel Choice: GC58, RC58 or SC58 (see Pg. 54-55) Sold separately

*Note: Cut to 15" to fit corbels.*

Item Code	Dimensions	Weight
RHS094921	9W x 49H x 21D	41 LB
Door style		
Only Available	K3, K8, K10, CO66, J5, M01, A7, S1, S5, S8, H9, H8, H3	

HOODS &  
SPECIALTY CABINETS



### HEARTH HOOD PIER ON COUNTER

1 Door

1 Adjustable Shelf

Item Code	Dimensions	Weight
RHS094221	9W x 42H x 21D	31 LB
Door style		
Only Available	K3, K8, K10, CO66, J5, M01, A7, S1, S5, S8, H9, H8, H3	

**Note:** Style and product availability may vary slightly from those shown in this catalog due to material availability and/or improvements to our designs. Specifications are subject to change without notice. Finger joint technique is used in some of our molding and decorative items, which is acceptable in industry standard. Natural variations of wood make the possibility of the finger joints visible. There is ¼" to ½" deviation on all vanity cabinets. Check with your sales representative for product specification before planning your projects.





# BATHROOM VANITIES

Image Shown: BRIGHT WHITE SHAKER





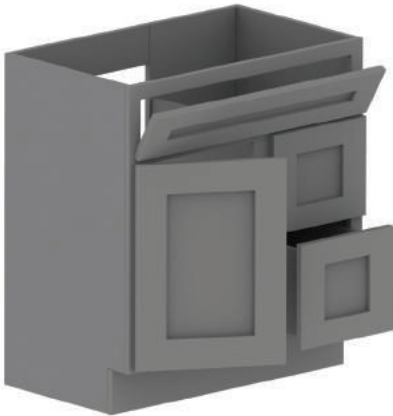
**VANITY SINK**

- 1 Tilt-Out Drawer With Tray
- 2 Doors
- No Shelf

*Note: Back Panel Opened*

Item Code	Dimensions	Weight
FA3021	30W x 33H x 21D	45 LB

*Note: May be packaged in more than one carton*



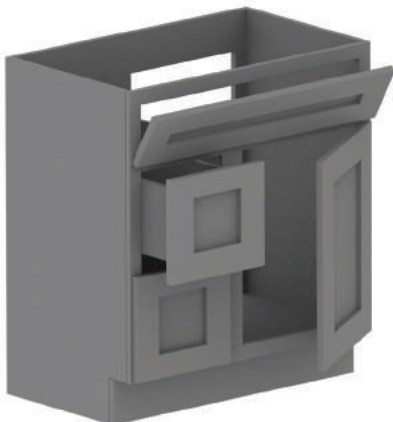
**VANITY SINK**

- 1 Tilt-Out Drawer With Tray
- 1 Door on **L**eft
- 2 Drawers on **R**ight: 12"W
- No Shelf

*Note: Back Panel Opened On Left*

Item Code	Dimensions	Weight
FA3021DL	30W x 33H x 21D	75 LB

*Note: May be packaged in more than one carton*



**VANITY SINK**

- 1 Tilt-Out Drawer With Tray
- 1 Door on **R**ight
- 2 Drawers on **L**eft: 12"W
- No Shelf

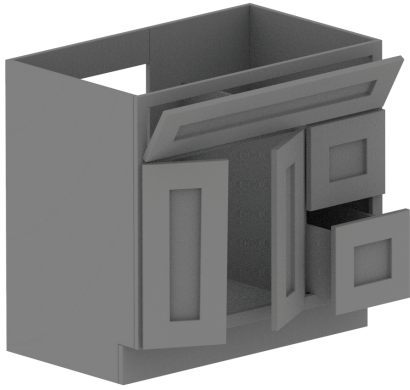
*Note: Back Panel Opened On Right*

Item Code	Dimensions	Weight
FA3021DR	30W x 33H x 21D	75 LB

*Note: May be packaged in more than one carton*

BATHROOM VANITIES

**Note:** Style and product availability may vary slightly from those shown in this catalog due to material availability and/or improvements to our designs. Specifications are subject to change without notice. Finger joint technique is used in some of our molding and decorative items, which is acceptable in industry standard. Natural variations of wood make the possibility of the finger joints visible. There is ¼" to ½" deviation on all vanity cabinets. Check with your sales representative for product specification before planning your projects.

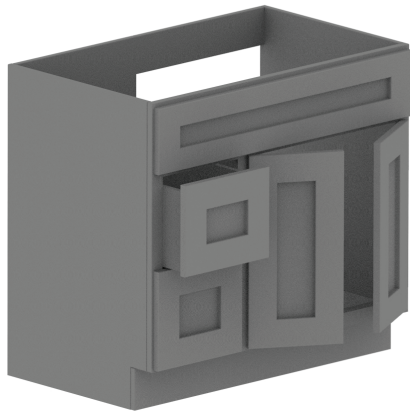

**VANITY SINK**

- 1 Tilt-Out Drawer With Tray
- 2 Doors on **L**eft
- 2 Drawers on **R**ight: 12"W
- No Shelf

*Note: Back Panel Opened On Left*

Item Code	Dimensions	Weight
FA3621DL	36W x 33H x 21D	80 <b>LB</b>

*Note: May be packaged in more than one carton*

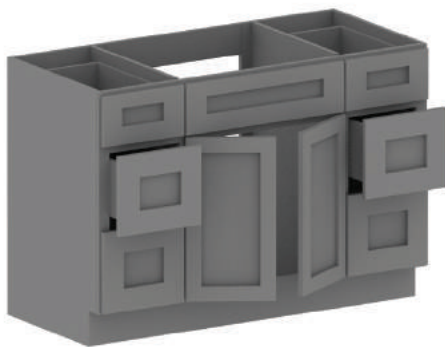

**VANITY SINK**

- 1 Tilt-Out Drawer With Tray
- 2 Doors on **R**ight
- 2 Drawers on **L**eft: 12"W
- No Shelf

*Note: Back Panel Opened On Right*

Item Code	Dimensions	Weight
FA3621DR	36W x 33H x 21D	80 <b>LB</b>

*Note: May be packaged in more than one carton*


**VANITY SINK  
COMBO**

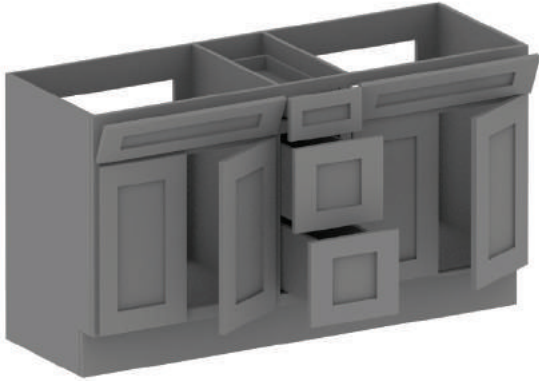
- 1 Tilt-Out Drawer With Tray
- 2 Doors
- 6 Drawers: 12"W
- No Shelf

*Note: Back Panel Opened in the Middle*

Item Code	Dimensions	Weight
FA4821D	48W x 33H x 21D	140 <b>LB</b>
FA6021D	60W x 33H x 21D	154 <b>LB</b>

*Note: May be packaged in more than one carton*

**Note:** Style and product availability may vary slightly from those shown in this catalog due to material availability and/or improvements to our designs. Specifications are subject to change without notice. Finger joint technique is used in some of our molding and decorative items, which is acceptable in industry standard. Natural variations of wood make the possibility of the finger joints visible. There is ¼" to ½" deviation on all vanity cabinets. Check with your sales representative for product specification before planning your projects.



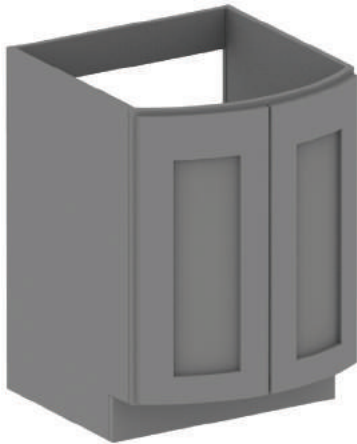
### VANITY SINK COMBO

- 2 Tilt-Out Drawers With Trays
- 4 Doors
- 3 Drawers: 12"W
- No Shelf

*Note: Back Panel Opened On Left and Right*

Item Code	Dimensions	Weight
FA6021DD	60W x 33H x 21D	117 <b>LB</b>

*Note: May be packaged in more than one carton*



### VANITY SINK

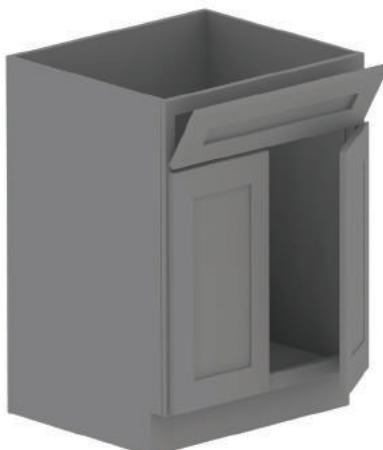
- 2 Curved Doors
- No Shelf

*Note: Back Panel Opened*

Item Code	Dimensions	Weight
FSVA24	24W x 33H x 21D	35 <b>LB</b>

*Note: May be packaged in more than one carton*

Door style	
Only Available	K3, K8, K10, CO66, J5, M01, A7, H9, H8, H3



### VANITY SINK

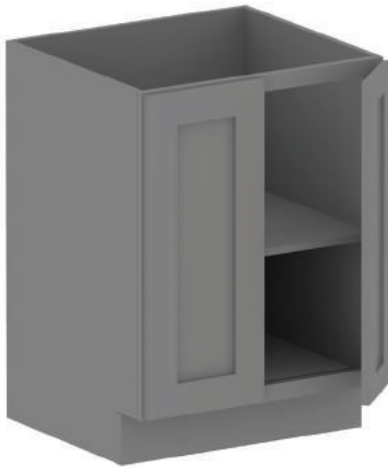
- 1 Tilt-Out Drawer With Tray
- 2 Doors
- No Shelf

*Note: Back Panel Not Opened*

Item Code	Dimensions	Weight
SVA2421	24W x 33H x 21D	42 <b>LB</b>

*Note: May be packaged in more than one carton*

**Note:** Style and product availability may vary slightly from those shown in this catalog due to material availability and/or improvements to our designs. Specifications are subject to change without notice. Finger joint technique is used in some of our molding and decorative items, which is acceptable in industry standard. Natural variations of wood make the possibility of the finger joints visible. There is ¼" to ½" deviation on all vanity cabinets. Check with your sales representative for product specification before planning your projects.



### VANITY SINK BASE

- 2 Doors
- 1 Adjustable Shelf

*Note: Back Panel Not Opened*

Item Code	Dimensions	Weight
SVA24P	24W x 33H x 21D	43 LB

*Note: May be packaged in more than one carton*

Door style	
Only Available	K3, K8, K10, CO66, J5, M01, A7, S1, S5, S8, H9, H8, H3



### VANITY BASE

- 1 Drawer
- 1 Door
- 1 Adjustable Shelf

Item Code	Dimensions	Weight
* SVA09B	9W x 33H x 21D	36 LB

SVA21B 21W x 33H x 21D 52 LB

*Note: May be packaged in more than one carton*

Door style	
* Only Available	K3, K8, K10, CO66, J5, M01, A7, S1, S5, S8, H9, H8, H3



### VANITY DRAWER BASE

- 1 Small Drawer
- 2 Large Drawers

Item Code	Dimensions	Weight
SVA09D	9W x 33H x 21D	53 LB
SVA12D	12W x 33H x 21D	60 LB
SVA15D	15W x 33H x 21D	66 LB
SVA18D	18W x 33H x 21D	70 LB
SVA21D	21W x 33H x 21D	75 LB
SVA24D	24W x 33H x 21D	79 LB

*Note: May be packaged in more than one carton*

**Note:** Style and product availability may vary slightly from those shown in this catalog due to material availability and/or improvements to our designs. Specifications are subject to change without notice. Finger joint technique is used in some of our molding and decorative items, which is acceptable in industry standard. Natural variations of wood make the possibility of the finger joints visible. There is ¼" to ½" deviation on all vanity cabinets. Check with your sales representative for product specification before planning your projects.



**VANITY LINEN**

- 2 Doors
- 4 Adjustable Shelves

Item Code	Dimensions	Weight
SVA188124P	18W x 81H x 24D	103 LB

*Note: May be packaged in more than one carton*



**COUNTER LINEN**

- 1 Door
- 2 Small Drawers
- 2 Adjustable Shelves

Item Code	Dimensions	Weight
DV1245	12W x 45-1/2H x 12D	42 LB

*Note: May be packaged in more than one carton*

Door Style	Drawer Height
K10, K8, K3, A7, M01	6"
CO66, J5, S8, S5, S1, H9, H8, H3, E1, E2	7"



**MEDICINE CABINET**

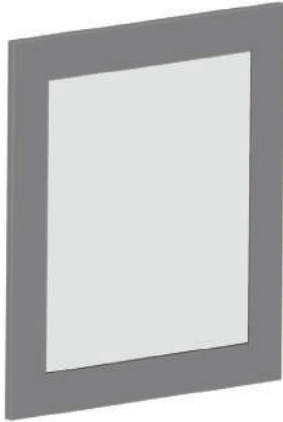
- 1 Door
- 2 Adjustable Shelves

Item Code	Dimensions	Weight
WV12336	12W x 33H x 6D	18 LB

BATHROOM VANITIES

**Note:** Style and product availability may vary slightly from those shown in this catalog due to material availability and/or improvements to our designs. Specifications are subject to change without notice. Finger joint technique is used in some of our molding and decorative items, which is acceptable in industry standard. Natural variations of wood make the possibility of the finger joints visible. There is 1/4" to 1/2" deviation on all vanity cabinets. Check with your sales representative for product specification before planning your projects.





**MIRROR**

- Wooden Frame
- Beveled Edge Mirror (Not Tempered)
- Matching Color Finish

*Note: Hanging Hardware Not Included*

Item Code	Dimensions	Weight
SVAM2427	24W x 27H x 3/4D	15 LB
SVAM3027	30W x 27H x 3/4D	20 LB



**DECOR FOOT**

*Note: Use With Vanity Sink Cabinet Curved Door FSVA24 (See Pg. 33)*

Item Code	Dimensions	Weight
*24	24W x 4-1/2H x 7D	6 LB

Door style	
Only Available	K3, K8, K10, CO66, J5, M01, A7, H9, H8, H3



**DECOR FOOT**

*Note: Use With Vanity Sink Cabinet Curved Door FSVA24 (See Pg. 33)*

Item Code	Dimensions	Weight
*30	30W x 4-1/2H x 7D	10 LB

Door style	
Only Available	K3, K8, K10, CO66, J5, M01, A7, H9, H8, H3

**Note:** Style and product availability may vary slightly from those shown in this catalog due to material availability and/or improvements to our designs. Specifications are subject to change without notice. Finger joint technique is used in some of our molding and decorative items, which is acceptable in industry standard. Natural variations of wood make the possibility of the finger joints visible. There is 1/4" to 1/2" deviation on all vanity cabinets. Check with your sales representative for product specification before planning your projects.



Image Shown: LAVA GREY SHAKER

DUMMY DOORS,  
DRAWERS & REPLACEMENTS



**DUMMY DOOR  
AND DRAWER**

- 1 Dummy Drawer
- 1 Dummy Door
- Face-Frame Attached

*Note: Not For Replacement*

Item Code	Dimensions	Weight
B18F	18W x 30H x 1-1/2D	11 LB

DUMMY DOORS,  
DRAWERS & REPLACEMENTS



**DUMMY DOOR  
AND DRAWER**

- 2 Dummy Drawers
- 2 Dummy Doors
- Face-Frame Attached

*Note: Not For Replacement*

Item Code	Dimensions	Weight
B30F	30W x 30H x 1-1/2D	20 LB
B36F	36W x 30H x 1-1/2D	24 LB



**DUMMY DOOR**

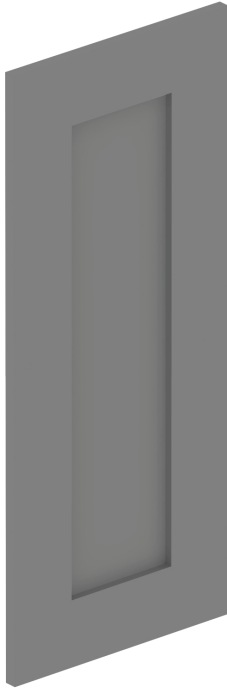
- 1 Dummy Door Panel

*Note: Not For Replacement*

Item Code	Dimensions	Weight
* BDD21	21W x 28H x 3/4D	9 LB
BDD24	24W x 29-1/2H x 3/4D	10 LB

\* Call First

**Note:** Style and product availability may vary slightly from those shown in this catalog due to material availability and/or improvements to our designs. Specifications are subject to change without notice. Finger joint technique is used in some of our molding and decorative items, which is acceptable in industry standard. Natural variations of wood make the possibility of the finger joints visible. There is ¼" to ½" deviation on all vanity cabinets. Check with your sales representative for product specification before planning your projects.



Item Code	Dimensions	Weight
W1230F	12W x 30H x 3/4D	5 LB
W1530F	15W x 30H x 3/4D	7 LB
W1236F	12W x 36H x 3/4D	6 LB
W1536F	15W x 36H x 3/4D	7 LB
W1242F	12W x 42H x 3/4D	7 LB
W1542F	15W x 42H x 3/4D	8 LB

### DUMMY DOOR

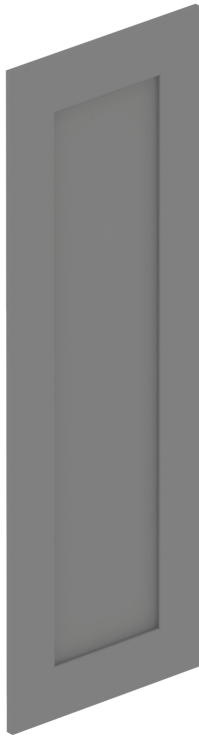
- 1 Replacement Door Panel
- Predrilled Hinge Holes On The Back

*Note: Replacement For Wall Door Panels In Cabinets:*

*W1230 ~ W1542. (see Pg. 14-15 Ask For Other Dimensions. Special Order.)  
WDC2430, WDC2436, WDC2443, WDC273615, WDC274215. (See Pg. 17)*

*Replacement For Pantry Top Door Panels In Cabinets:*

*WP24#### ~ WP30####. (see Pg. 23 Replacement For Pantry.)*



Item Code	Dimensions	Weight
* PDDU27-A	13-1/2W x 29-1/2H x 3/4D	7 LB
* PDDU27-B	13-1/2W x 35-1/2H x 3/4D	8 LB
* PDDU27-C	13-1/2W x 41-1/2H x 3/4D	9 LB

**DUMMY DOOR**

\* Call First

| 1 Dummy Door Panel

*Note: NOT For Replacement*

DUMMY DOORS,  
DRAWERS & REPLACEMENTS



Item Code	Dimensions	Weight
* PDDL27	13-1/2W x 49-1/2H x 3/4D	9 LB

**DUMMY DOOR**

\* Call First

| 1 Dummy Door Panel

*Note: NOT For Replacement*

**Note:** Style and product availability may vary slightly from those shown in this catalog due to material availability and/or improvements to our designs. Specifications are subject to change without notice. Finger joint technique is used in some of our molding and decorative items, which is acceptable in industry standard. Natural variations of wood make the possibility of the finger joints visible. There is 1/4" to 1/2" deviation on all vanity cabinets. Check with your sales representative for product specification before planning your projects.





# PANELS & FILLERS

Image Shown: EBONY HIGHLIGHT



**DISHWASHER  
PANEL**

3" Return Filler  
5/8" Thick Panel  
Matching Color

*Note: NOT Assembled & Toe Kick NOT Included*

Item Code	Dimensions	Weight
DWR (L/R)	3W x 34-1/2H x 24D	10 LB



**REFRIGERATOR  
PANEL**

3" Return Filler  
5/8" Thick Panel  
Matching Color

*Note: NOT Assembled & Toe Kick NOT Included*

Item Code	Dimensions	Weight
RRP9627	3W x 96H x 27D	40 LB



**REFRIGERATOR  
PANEL**

3/4" Thick Panel  
4 Side Edge-banded  
Matching Color

Item Code	Dimensions	Weight
RRP9627*3/4	3/4W x 96H x 27D	50 LB



**SKIN  
PANEL**

Long Grain Pattern in 36"H Panels  
Matching Finish On One Side

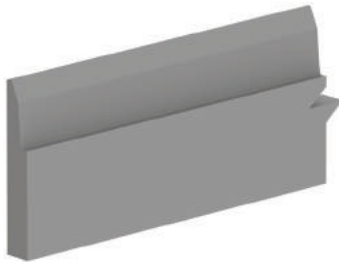
Item Code	Dimensions	Weight
BP9636	96W x 36H x 1/4D	12 LB

**Note:** Style and product availability may vary slightly from those shown in this catalog due to material availability and/or improvements to our designs. Specifications are subject to change without notice. Finger joint technique is used in some of our molding and decorative items, which is acceptable in industry standard. Natural variations of wood make the possibility of the finger joints visible. There is 1/4" to 1/2" deviation on all vanity cabinets. Check with your sales representative for product specification before planning your projects.



**TOE KICK**

Item Code	Dimensions	Weight
TK8	4-1/2W x 96H x 1/4D	0.8 LB



**BASE MOLDING**

Item Code	Dimensions	Weight
BM10-4 1/2	4-1/2W x 120H x 3/4D	8 LB



**BASE FILLER**

Item Code	Dimensions	Weight
BF3	3W x 34-1/2H x 3/4D	2 LB
BF6	6W x 34-1/2H x 3/4D	4 LB

Door style	
Only Available	K3, K8, K10, CO66, J5, M01, A7, S1, S5, S8, H9, H8, H3



**WALL FILLER**

Item Code	Dimensions	Weight
WF330	3W x 30H x 3/4D	1 LB
WF336	3W x 36H x 3/4D	2 LB
WF342	3W x 42H x 3/4D	2 LB

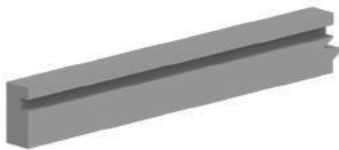
Door style	
Only Available	K3, K8, K10, CO66, J5, M01, A7, S1, S5, S8, H9, H8, H3

**Note:** Style and product availability may vary slightly from those shown in this catalog due to material availability and/or improvements to our designs. Specifications are subject to change without notice. Finger joint technique is used in some of our molding and decorative items, which is acceptable in industry standard. Natural variations of wood make the possibility of the finger joints visible. There is 1/4" to 1/2" deviation on all vanity cabinets. Check with your sales representative for product specification before planning your projects.


**WALL FILLER**

Item Code	Dimensions	Weight
WF630	6W x 30H x 3/4D	3LB
WF636	6W x 36H x 3/4D	5LB
WF642	6W x 42H x 3/4D	6LB
* WF1236	12W x 36H x 3/4D	7LB

\* Call First


**TALL FILLER**

Item Code	Dimensions	Weight
CM34-1-1/2	1-1/2W x 120H x 3/4D	3 LB

*Note: Dadoed*

*Good for Refridgerator  
Return Use and  
Semi-custom Cabinets*


**TALL FILLER**

Item Code	Dimensions	Weight
CM34-3	3W x 120H x 3/4D	6 LB
CM34-6	6W x 120H x 3/4D	10 LB

**Note:** Style and product availability may vary slightly from those shown in this catalog due to material availability and/or improvements to our designs. Specifications are subject to change without notice. Finger joint technique is used in some of our molding and decorative items, which is acceptable in industry standard. Natural variations of wood make the possibility of the finger joints visible. There is 1/4" to 1/2" deviation on all vanity cabinets. Check with your sales representative for product specification before planning your projects.

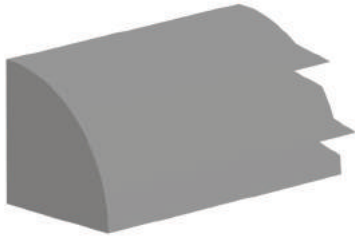




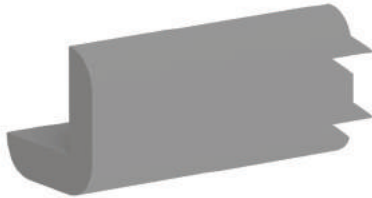
Image Shown: AMERICANO SHAKER

# MOLDINGS

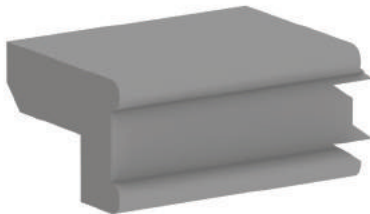



**QUARTER ROUND**

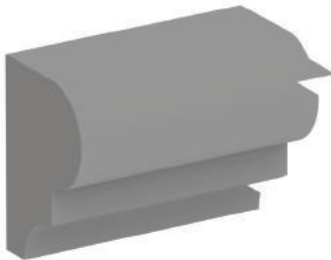
Item Code	Dimensions	Weight
QRM10	3/4H x 3/4D x 120L	2 LB


**OUTSIDE CORNER**

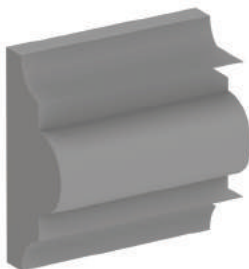
Item Code	Dimensions	Weight
OCM8	3/4H x 3/4D x 96L	0.7 LB


**TRADITIONAL LIGHT RAIL**

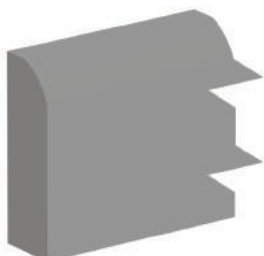
Item Code	Dimensions	Weight
TLR10-A	1-1/2H x 3/4D x 120L	8 LB


**CHAIR RAIL**

Item Code	Dimensions	Weight
CR10	1-1/8H x 3/4D x 120L	2 LB
Door style		
Only Available	K3, K8, K10, CO66, J5, M01, A7, S1, S5, S8, H9, H8, H3	


**FULL CHAIR RAIL**

Item Code	Dimensions	Weight
FSM10	1-5/8H x 3/4D x 120L	3 LB
Door style		
Only Available	K3, K8, K10, CO66, J5, M01, A7, S1, S5, S8, H9, H8, H3	


**SCRIBE**

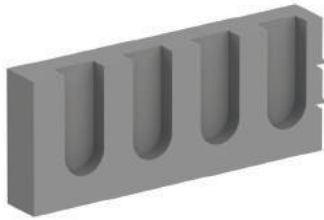
Item Code	Dimensions	Weight
SM8	3/4H x 3/8D x 96L	0.5 LB

**Note:** Style and product availability may vary slightly from those shown in this catalog due to material availability and/or improvements to our designs. Specifications are subject to change without notice. Finger joint technique is used in some of our molding and decorative items, which is acceptable in industry standard. Natural variations of wood make the possibility of the finger joints visible. There is 1/4" to 1/2" deviation on all vanity cabinets. Check with your sales representative for product specification before planning your projects.


**OGEE**

Item Code	Dimensions	Weight
* OGM10	3H x 3/4D x 120L	6 LB

\* Call First


**WIDE DENTIL**

Item Code	Dimensions	Weight
* WDM10	2-1/4H x 3/4D x 120L	9 LB

\* Call First

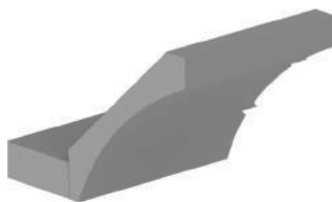

**COVE**

Item Code	Dimensions	Weight
ST10	2-3/8H x 2-1/8D x 120L	5 LB


**COVE WITH BASE**

Item Code	Dimensions	Weight
AST10-3-1/4	2-3/8H x 3-5/8D x 120L	8 LB

Door style	
Only Available	S1, S5, S8
* Call First	K3, K8, K10, CO66, J5, M01, A7, H9, H8, H3


**LARGE COVE WITH BASE**

Item Code	Dimensions	Weight
AST10-5-1/4	3-3/4H x 5-3/8D x 120L	10 LB

Door style	
Only Available	S1, S5, S8
* Call First	K3, K8, K10, CO66, J5, M01, A7, H9, H8, H3


**CROWN**

Item Code	Dimensions	Weight
CM10	2H x 1-5/8D x 120L	6.5 LB

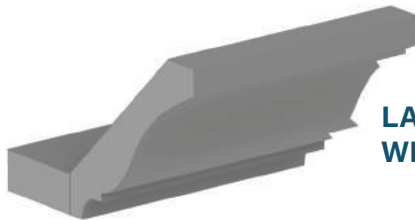
Door style	
Only Available	K3, K8, K10, CO66, J5, M01, A7, H9, H8, H3

**Note:** Style and product availability may vary slightly from those shown in this catalog due to material availability and/or improvements to our designs. Specifications are subject to change without notice. Finger joint technique is used in some of our molding and decorative items, which is acceptable in industry standard. Natural variations of wood make the possibility of the finger joints visible. There is 1/4" to 1/2" deviation on all vanity cabinets. Check with your sales representative for product specification before planning your projects.


**CROWN WITH BASE**

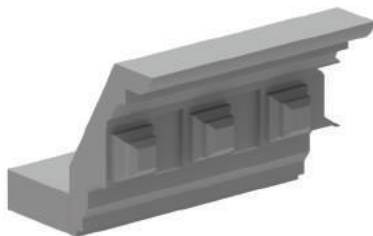
Item Code	Dimensions	Weight
ACM10-3-1/4	2-1/4H x 3-3/4D x 120L	8 LB

Door style	
Only Available	K3, K8, K10, CO66, J5, M01, A7, H9, H8, H3


**LARGE CROWN WITH BASE**

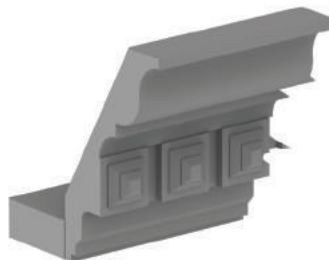
Item Code	Dimensions	Weight
ACM10-5-1/4	3-3/4H x 5-1/4D x 120L	12 LB

Door style	
Only Available	K3, K8, K10, CO66, J5, M01, A7, H9, H8, H3


**DENTIL WITH BASE**

Item Code	Dimensions	Weight
CCM10-B	3H x 3-1/4D x 120L	9.5 LB

Door style	
Only Available	K3, K8, K10, CO66, J5, M01, A7


**LARGE DENTIL WITH BASE**

Item Code	Dimensions	Weight
CCM10-A	4H x 4D x 120L	13 LB

Door style	
Only Available	K3, K8, K10, CO66, J5, M01, A7

**Note:** Style and product availability may vary slightly from those shown in this catalog due to material availability and/or improvements to our designs. Specifications are subject to change without notice. Finger joint technique is used in some of our molding and decorative items, which is acceptable in industry standard. Natural variations of wood make the possibility of the finger joints visible. There is 1/4" to 1/2" deviation on all vanity cabinets. Check with your sales representative for product specification before planning your projects.



Image Shown: EBONY HIGHLIGHT

# VALANCES & DECOR BLOCKS





**FRIEZE  
VALANCE**

Item Code	Dimensions	Weight
V30A	30W x 4-1/2H x 3/4D	2 LB
V36A	36W x 4-1/2H x 3/4D	2 LB
V42A	42W x 4-1/2H x 3/4D	3 LB
V54A	54W x 4-1/2H x 3/4D	3 LB
V60A	60W x 4-1/2H x 3/4D	3 LB

Door style	
Only Available	K3, K8, K10, CO66, J5, M01, A7, H9, H8, H3



**ARCH  
VALANCE**

Item Code	Dimensions	Weight
V30B	30W x 4-1/2H x 3/4D	2 LB
V36B	36W x 4-1/2H x 3/4D	2 LB
V42B	42W x 4-1/2H x 3/4D	3 LB
* V48B	48W x 4-1/2H x 3/4D	3 LB
V54B	54W x 4-1/2H x 3/4D	3 LB
V60B	60W x 4-1/2H x 3/4D	4 LB

\* Call First



**LARGE ARCH  
VALANCE**

Item Code	Dimensions	Weight
RPV36	36W x 8H x 3/4D	5 LB
RPV42	42W x 8H x 3/4D	6 LB
RPV54	54W x 8H x 3/4D	8 LB
*RPV60-15	60W x 15H x 3/4D	11 LB

Note: Valance Center 5" (RPV60-15 is 8-1/4")

\* Call First



**LARGE RAISED  
PANEL ARCH  
VALANCE**

Item Code	Dimensions	Weight
RPV36-A	36W x 15H x 3/4D	6 LB
RPV42-A	42W x 15H x 3/4D	8 LB
RPV48-A	48W x 15H x 3/4D	9 LB
RPV54-A	54W x 15H x 3/4D	9 LB
RPV60-A	60W x 15H x 3/4D	10 LB
* RPV72-A	72W x 15H x 3/4D	14 LB

Note: Arch Height: 4-1/2

\* Call First

**Note:** Style and product availability may vary slightly from those shown in this catalog due to material availability and/or improvements to our designs. Specifications are subject to change without notice. Finger joint technique is used in some of our molding and decorative items, which is acceptable in industry standard. Natural variations of wood make the possibility of the finger joints visible. There is 1/4" to 1/2" deviation on all vanity cabinets. Check with your sales representative for product specification before planning your projects.



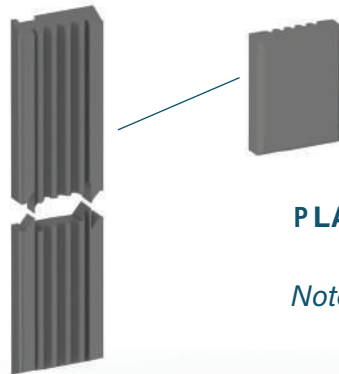

**KEY STONE**

Item Code	Dimensions	Weight
* CO12	6W x 12H x 3/4D	1 LB

\* Call First

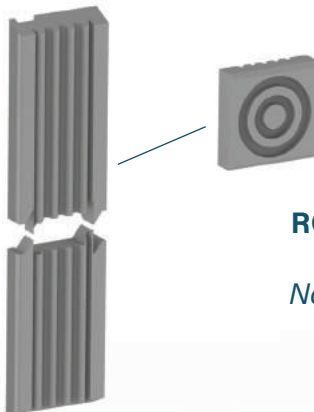

**FLUTED FILLER**

Item Code	Dimensions	Weight
PCVFF3	3W x 96H x 3/4D	4LB

 VALANCES  
& DECOR BLOCKS

**PLAIN BLOCK**

Item Code	Dimensions	Weight
* BB3*4	3W x 4H x 3/4D	0.2 LB

\* Call First

*Note: Decor Block Complements With Fluted Filler (PCVFF3)*

**ROSETTE BLOCK**

Item Code	Dimensions	Weight
* FB3*3	3W x 3H x 3/4D	0.2 LB

\* Call First

*Note: Decor Block Complements With Fluted Filler (PCVFF3)*

**Note:** Style and product availability may vary slightly from those shown in this catalog due to material availability and/or improvements to our designs. Specifications are subject to change without notice. Finger joint technique is used in some of our molding and decorative items, which is acceptable in industry standard. Natural variations of wood make the possibility of the finger joints visible. There is ¼" to ½" deviation on all vanity cabinets. Check with your sales representative for product specification before planning your projects.



# ONLAYS, CORBELS & POSTS

Image Shown: VIVID WHITE & SHADOW GREY



GRAPE ONLY

Item Code	Dimensions	Weight
SGO	3W x 4H x 3/4D	0.1 LB

Door style	
Only Available	K3, K8, K10, CO66, J5, M01, A7, H9, H8, H3



LEAF ONLY

Item Code	Dimensions	Weight
RGO	3W x 4H x 3/4D	0.1 LB

Door style	
Only Available	K3, K8, K10, CO66, J5, M01, A7, H9, H8, H3

WIDE GRAPE ONLY



Item Code	Dimensions	Weight
GRPO	20W x 4-1/2H x 3/4D	1.2 LB

Door style	
Only Available	K3, K8, K10, CO66, J5, M01, A7, H9, H8, H3

WIDE LEAF ONLY



Item Code	Dimensions	Weight
RRPO	20W x 4-1/2H x 3/4D	1.2 LB

Door style	
Only Available	K3, K8, K10, CO66, J5, M01, A7, H9, H8, H3

Note: Style and product availability may vary slightly from those shown in this catalog due to material availability and/or improvements to our designs. Specifications are subject to change without notice. Finger joint technique is used in some of our molding and decorative items, which is acceptable in industry standard. Natural variations of wood make the possibility of the finger joints visible. There is 1/4" to 1/2" deviation on all vanity cabinets. Check with your sales representative for product specification before planning your projects.


**MISSION CORBEL**

Item Code	Dimensions	Weight
SC58	4-1/2W x 10-1/2H x 5D	3 LB

Door style	
Only Available	K3, K8, K10, CO66, J5, M01, A7, S1, S5, S8, H9, H8, H3


**LARGE MISSION CORBEL**

Item Code	Dimensions	Weight
SC530	5-1/2W x 30H x 7D	13 LB

Door style	
Only Available	K3, K8, K10, CO66, J5, M01, A7, S1, S5, S8, H9, H8, H3


**GRAP E CORBEL**

Item Code	Dimensions	Weight
GC58	4-1/2W x 10H x 5D	3 LB

Door style	
Only Available	K3, K8, K10, CO66, J5, M01, A7, H9, H8, H3


**LARGE GRAP E CORBEL**

Item Code	Dimensions	Weight
OLC318	3-1/2W x 18H x 3D	1.4 LB

Door style	
Only Available	K3, K8, K10, CO66, J5, M01, A7, H9, H8, H3

**Note:** Style and product availability may vary slightly from those shown in this catalog due to material availability and/or improvements to our designs. Specifications are subject to change without notice. Finger joint technique is used in some of our molding and decorative items, which is acceptable in industry standard. Natural variations of wood make the possibility of the finger joints visible. There is ¼" to ½" deviation on all vanity cabinets. Check with your sales representative for product specification before planning your projects.



### ACANTHUS CORBEL

Item Code	Dimensions	Weight
RC58	4-1/2W x 10H x 5D	3 LB

Door style	
Only Available	K3, K8, K10, CO66, J5, M01, A7, H9, H8, H3



### DEEP ACANTHUS CORBEL

Item Code	Dimensions	Weight
RC313	3-1/2W x 13H x 8-1/4D	5 LB

Door style	
Only Available	K3, K8, K10, CO66, J5, M01, A7, H9, H8, H3



### NARROW ACANTHUS CORBEL

Item Code	Dimensions	Weight
RLC318	3-1/2W x 18H x 3D	14 LB

Door style	
Only Available	K3, K8, K10, CO66, J5, M01, A7, H9, H8, H3



### LARGE ACANTHUS CORBEL

Item Code	Dimensions	Weight
RC530	5W x 30H x 7D	14 LB

Door style	
Only Available	K3, K8, K10, CO66, J5, M01, A7, H9, H8, H3

**Note:** Style and product availability may vary slightly from those shown in this catalog due to material availability and/or improvements to our designs. Specifications are subject to change without notice. Finger joint technique is used in some of our molding and decorative items, which is acceptable in industry standard. Natural variations of wood make the possibility of the finger joints visible. There is 1/4" to 1/2" deviation on all vanity cabinets. Check with your sales representative for product specification before planning your projects.




**LARGE ACANTHUS  
CORBEL WITH FOOT**

Item Code	Dimensions	Weight
CB 34 1/2	6W x 34-1/2H x 7-1/2D	24 LB

Door style	
Only Available	K3, K8, K10, CO66, J5, M01, A7, H9, H8, H3


**FULL TURN POST**

Item Code	Dimensions	Weight
SP3X34 1/2	3W x 34-1/2H x 3D	5 LB


**FULL ROPE TURN POST**

Item Code	Dimensions	Weight
RP 34 1/2	3W x 34-1/2H x 3D	6 LB

Door style	
Only Available	K3, K8, K10, CO66, J5, M01, A7, H9, H8, H3


**SPLIT ROPE TURN POST**

Item Code	Dimensions	Weight
RPS18	2W x 18H x 3/4D	0.6 LB
RPS24	2W x 24H x 3/4D	0.6 LB
RPS30	2W x 30H x 3/4D	1 LB
RPS36	2W x 36H x 3/4D	1 LB
RPS42	2W x 42H x 3/4D	1 LB

Door style	
Only Available	K3, K8, K10, CO66, J5, M01, A7, H9, H8, H3

**Note:** Style and product availability may vary slightly from those shown in this catalog due to material availability and/or improvements to our designs. Specifications are subject to change without notice. Finger joint technique is used in some of our molding and decorative items, which is acceptable in industry standard. Natural variations of wood make the possibility of the finger joints visible. There is 1/4" to 1/2" deviation on all vanity cabinets. Check with your sales representative for product specification before planning your projects.



Image Shown: BRIGHT WHITE SHAKER

## TEN YEAR LIMITED WARRANTY (CABINETS)

Luban Cabinetry ("Luban") extends the following limited warranty on all cabinets manufactured and sold by Luban within the United States and Canada. This warranty does not cover cabinets sold or shipped outside of the United States and Canada. This Limited Warranty is only applicable to Products sold to the original purchasing consumer. Luban warrants that all cabinets purchased from Luban will be free from all unnatural defects in material and workmanship in accordance with Luban quality standards under normal residential use for 10 years from the date of the original purchase or as long as the original purchasing consumer owns the home in which such cabinets are installed, whichever is less. This warranty is non-transferable to subsequent owners of the home. Door hinges and all drawers glide system, including system hardware (lift system), however are warranted for only 5 year under normal residential use from the date of the original purchase.

**THIS LIMITED WARRANTY IS SUBJECT TO ALL LIMITATIONS, EXCLUSIONS, DISCLAIMERS, AND PROCEDURES SET FORTH HEREIN.**

The warranty does not cover special ordered products, defects caused by improper handling, storage, dirt, chemicals, abrasive or citrus cleaning products, installation, assembly or disassembly, transit or other intentional or negligent damage, product modifications, exposure to the extreme moisture, humidity or excessive heat or cold (temperature outside the range of 50-85°F and humidity outside the range of 30-55% are considered extreme), nor does it cover defects arising from normal wear and tear, misuse, neglect, accidents, alterations, improper use, exposure to improper loads, or failure to maintain properly. Any modification to the hardware structure or finish of the original consumer purchaser's cabinetry by anyone other than those specifically authorized by Luban to do so shall void this limited liability warranty. The product must be used exclusively for its intended purpose in order to be covered by this limited liability warranty. This limited liability warranty shall become void if the cabinets or any components or parts thereof are in any way modified, improperly installed or damaged prior to or during installation, or installed or used in other than normal residential applications.

Natural woods may vary in color, grain pattern, and characteristics and exhibit subtle changes as they age. Wood characteristics that naturally occur, such as variations in color, grain, mineral streaks and knots, are not considered defects. Luban will not be held responsible for these variations in your cabinetry. For example, painted doors, drawer fronts, and face frames may eventually have visible cracking around the joint area, and cabinet colors may darken or lighten over time. These conditions are considered a normal occurrence and are not included or covered by this limited liability warranty. A glazed finish by character is an uneven finish. Some edges and profiles will have heavier hang up than others and glazing may vary cabinet to cabinet, door to drawer and item to item. This may result in overall color variations but is not considered a defect. UV light, Sunlight, smoke, household cleaners, and other environmental conditions may also affect the color and integrity of the Product's finish or appearance over time. These variations are considered to be the nature of the material in relation to their environmental exposure and are not considered defects in material or workmanship and are not covered under this Limited Warranty.

Mitered door joints in particular are likely to react to conditions of their environment. Gaps that may develop in door joints due to conditions of their environment are not included or covered by this limited liability warranty. This limited liability warranty does not cover or apply to hairline cracks of cabinetry; hairline cracks are unavoidable in wood cabinets given the nature of the material. Every species and grade of solid wood behaves in such a way as to eventually result in hairline cracks.

Wood is wood and expansion and contraction still happen year after year as it compensates and adjusts to ever changing atmospheric humidity and temperature conditions. Observing shrink, expansion on center panels of doors is very common. It will return to its natural position within couple months once it has adjusted to seasonal changes. For the same reason, all door warpage greater than 1/2" will be warranted. Please remove all doors and check them on a flat surface for the above stated warpage before requesting replacement.

Warranty Performance. Luban periodically updates and makes changes to its product line and specifications. If a warranty claim is filed during the warranty period against obsolete or changed product and repair is not possible, Luban will, at its sole option, repair or replace the part under warranty with a new part of the same style or with a similar style currently offered and does not include or cover any other costs, including but not limited to any costs of service, labor, shipment, transportation, removal or installation related to the repair or replacement. Luban is not responsible for a replacement product that may not match the installed product exactly. If a manufacturing defect occurs within this limited liability warranty's terms and conditions and Luban determines to replace the defective cabinet or component or part thereof, Luban will ship the replacement cabinet or component or part thereof to the original consumer purchaser via ground shipper or freight carrier, at Luban's sole discretion.

#### DISCLAIMER OF OTHER WARRANTIES:

THIS WRITING IS THE COMPLETE AND EXCLUSIVE REMEDY FOR ANY ORIGINAL CONSUMER PURCHASER. FOR BREACH OF WARRANTY. THE STATEMENT OF THE EXPRESS WARRANTIES PROVIDED HEREIN IS IN LIEU OF ANY AND ALL OTHER EXPRESS AND/OR STATUTORY WARRANTIES, TO THE EXTENT PROVIDED BY LAW. IN NO EVENT SHALL LUBAN BE LIABLE FOR INCIDENTAL OR CONSEQUENTIAL DAMAGES TO ANY ORIGINAL CONSUMER PURCHASER OR A THIRD PARTY, INCLUDING BUT NOT LIMITED TO DAMAGES ARISING FROM PERSONAL INJURY, LOST PROFITS, LOSS OF BUSINESS OPPORTUNITIES, LOSS OF PROPERTY, ECONOMIC LOSS, STATUTORY OR EXEMPLARY DAMAGES, WHETHER FROM NEGLIGENCE, WARRANTY, STRICT LIABILITY OR OTHERWISE. ANY AND ALL IMPLIED WARRANTIES OF MERCHANTABILITY, FITNESS FOR A PARTICULAR PURPOSE, COURSE OF DEALING AND USAGE OF TRADE, AND ANY AND ALL OTHER WARRANTIES, EXPRESS OR IMPLIED, ARE EXCLUDED AND DISCLAIMED, EXCEPTING ONLY THOSE EXPRESS WARRANTIES SPECIFICALLY SET FORTH IN THIS LIMITED LIABILITY WARRANTY. IN NO EVENT SHALL LUBAN BE LIABLE FOR ANY INDIRECT DAMAGES RESULTING FROM INSTALLATION, USE OR FAILURE OF ITS PRODUCTS. THIS LIMITED LIABILITY WARRANTY IS LUBAN'S SOLE WARRANTY, AND NO DEALER, DISTRIBUTOR OR AGENT POSSESSES ANY AUTHORITY WHATSOEVER TO MODIFY OR ENLARGE THIS WARRANTY IN ANYWAY. SOME STATES DO NOT ALLOW LIMITATIONS ON HOW LONG AN IMPLIED WARRANTY LASTS, SO THE ABOVE LIMITATION MAY NOT APPLY TO YOU.

#### CLAIMS:

To file a warranty claim, first contact your locally authorized Luban builder, dealer or distributor who installed and sold the Luban product. They will obtain the information necessary to make a claim decision and forward such information in writing to Luban. A dated sales receipt as proof of purchase is also required to obtain benefits from these warranties. At its discretion, Luban may require an inspection of the allegedly defective product before repairing or replacing. If you have difficulty obtaining assistance, please write at the address noted at bottom of page, with an explanation of the defect. Please do not send the allegedly defective cabinet or component or part thereof to Luban, unless and until expressly requested to do so by our claims department. Pictures of cabinets or components or parts thereof may be requested by Luban. Making a fraudulent claim may be a crime. Luban reserves the right to make all final decisions regarding warranty claims. This limited liability warranty and its enforcement, and any and all claims or disputes arising out of, relating to or in connection with this limited liability warranty or the making, performance or interpretation of this limited liability warranty, shall be (1) governed by and construed exclusively in accordance with the laws of the State of Washington, without regard to the conflicts of law or choice of law principles of the State of Washington or any other jurisdiction (including but not limited to U.S. federal law) that would require the application of the law of any other jurisdiction, and (2) brought only in the United States District Court for the District of Western District of Washington or King County District Court South Division, Kent Facility.

Luban Cabinetry Inc. 6610 S. 199th Place Kent, WA 98032 Email: Claim@lubancabinetry.com

Version: 06012020





2020



ProKitchen  
Professional Design Software



Scan QR Code to Sign-up



**Luban Distribution Center & Showroom**

6610 S. 199th Place

Kent, WA 98032

Phone: 888-603-0016

[www.LubanCabinetry.com](http://www.LubanCabinetry.com)

